

## 19" Wall Mounting QUICKBOX



### FEATURES

It is designed in high quality for cost effective and economical solutions. The quickbox features a sturdy and compact design, ideal installation for Small Office, Home Office applications. Housing for 19" patch panels, and telephone distribution systems. 19" 4U or 6U rack mount

### COMPLIANCES

UL and cUL  
**Load Carrying Capacity:** 15 kg  
**Surface Treatment:** Fosfat coating  
**Painting:** Ral7035 / Ral9005

### STANDARDS

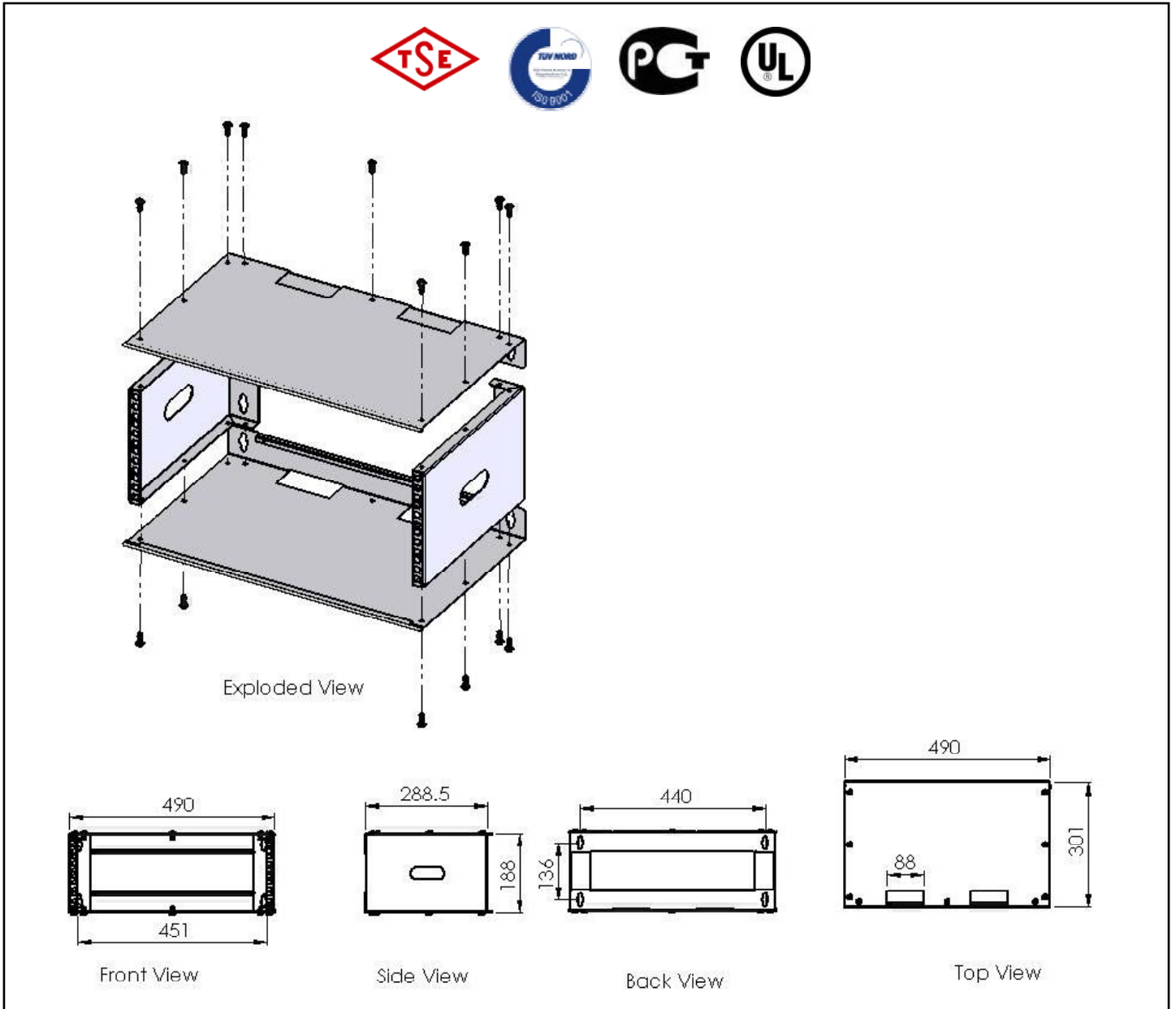
ISO 9001:2000  
 TSE:EN 61587-1 Mechanical Structures For Electronic Equipment - Tests For IEC 60917 And IEC 60297  
 Climatic and Environment:EN 61587-1/4.2, IEC60068-2-1, IEC60068-2-2, IEC60068-2-30,  
**Static Mechanical Load Lifting:** EN61587-1/5.2.1  
**Static Mechanical Load Stiffness:** EN61587-1/5.2.2  
**Dynamic Mechanical Load Vibration and Shock, Impact:** EN61587-1/5.3.1,EN61587-1/5.3.3,IEC60068-2-6, IEC60068-2-27,  
**Earth Bond:** EN61587-1/6.2  
**Flammability:** EN61587-1/6.3  
**Degrees Of Protection Provided By Enclosures (Ip Code):** IP20 or IP55, EN61587-1/6.4

Material Definition and Properties, Thicknesses and Shipment Configuration

Part Definition	Material thickness	Material definition & properties	Shipment Configuration
Bottom and Upper Body	1,2 mm	DIN EN 10130 - 99 EREGLI DC-01 6112 CRS	1ea.
Side Panel	1,5 mm	DIN EN 10130 - 99 EREGLI DC-01 6112 CRS	2ea.

# 4U 19" Wall Mounting Quickbox

## TECHNICAL DRAWINGS

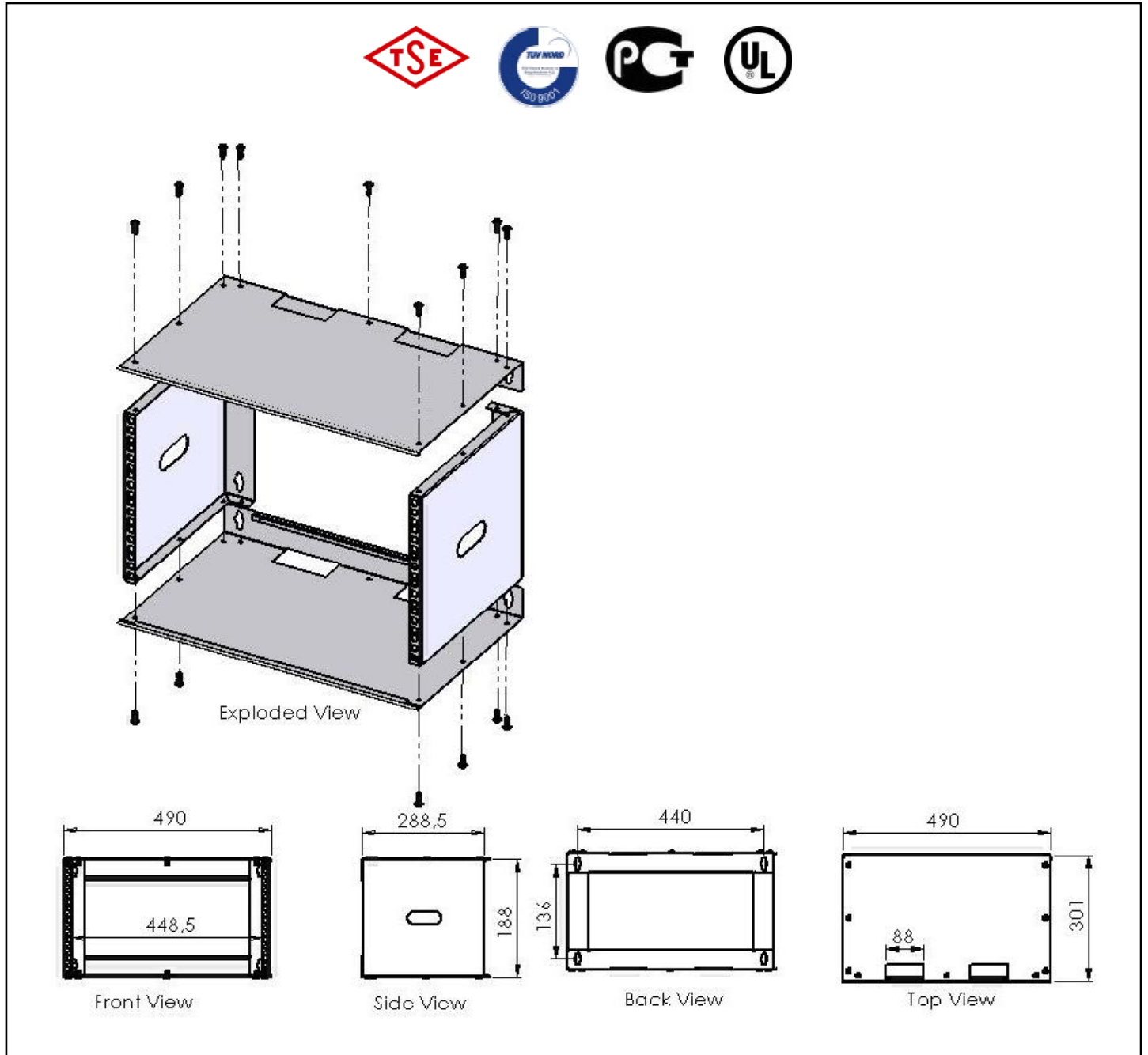


4U 19" Wall Mounting Quickbox	
Order No	Product Definition
M88BOX04	4U 19" OUCKBOX – Wall Mounting bracket

Shipping Data				
Order No	Quantity	Shipping Dimension (palette) WxHxD	Net Weight (kg)	Gross Weight (kg)
M88BOX04	6	545x425x400	32,796	34,290

# 6U 19" Wall Mounting Quickbox

## TECHNICAL DRAWINGS



6U 19" Wall Mounting Quickbox	
Order No	Product Definition
M88BOX06	6U 19" OUCKBOX - Wall Mounting bracket

Shipping Data				
Order No	Quantity	Shipping Dimension (palette) WxHxD	Net Weight (kg)	Gross Weight (kg)
M88BOX06	6	545x425x400	36,588	38,088