

19" Wall Mounting Cabinets / SOHOLINE 520x400 mm



FEATURES

Easy to access

Front door features a full-length smoked and shatterproof glass door integral locking mechanism.

Rear door; removable with 4 screws.

Cable access

Pre-punched two(2) brush opening, one on top, one on bottom. Removable rear cable access panel.

Construction

Rigid frame construction in steel sheet, rapidly dismantled per 3 screw per corner.

Top base is vented, pre-punched holes are available for top mount cooling system.

19" mounting angles (front/2ea.) and allow for flexible configuration and adjustable in depth.

Extensive range of accessories

REDUCE ;

% 70 SHIPMENT

% 50 LABOUR COSTS

Packaging:

Unit comes in a FLAT PACKAGE, minimum assembly required.

STANDARDS

ISO 9001:2000

TSE:EN 61587-1 Mechanical Structures For Electronic Equipment - Tests For IEC 60917 And IEC 60297

Climatic and Environment:EN 61587-1/4.2, IEC60068-2-, IEC60068-2-2, IEC60068-2-30,

Static Mechanical Load Lifting: EN61587-1/5.2.1

Static Mechanical Load Stiffness: EN61587-1/5.2.2

Dynamic Mechanical Load Vibration and Shock, Impact:

EN61587-1/5.3.1, EN61587-1/5.3.3, IEC60068-2-6,

IEC60068-2-27,

Earth Bond: EN61587-1/6.2

Flammability: EN61587-1/6.3

Degrees Of Protection Provided By Enclosures (Ip Code):

IP20 or IP55, EN61587-1/6.4

COMPLIANCES

UL and cUL

Load Carrying Capacity: 30 kg

Surface Treatment: Fosfat coating

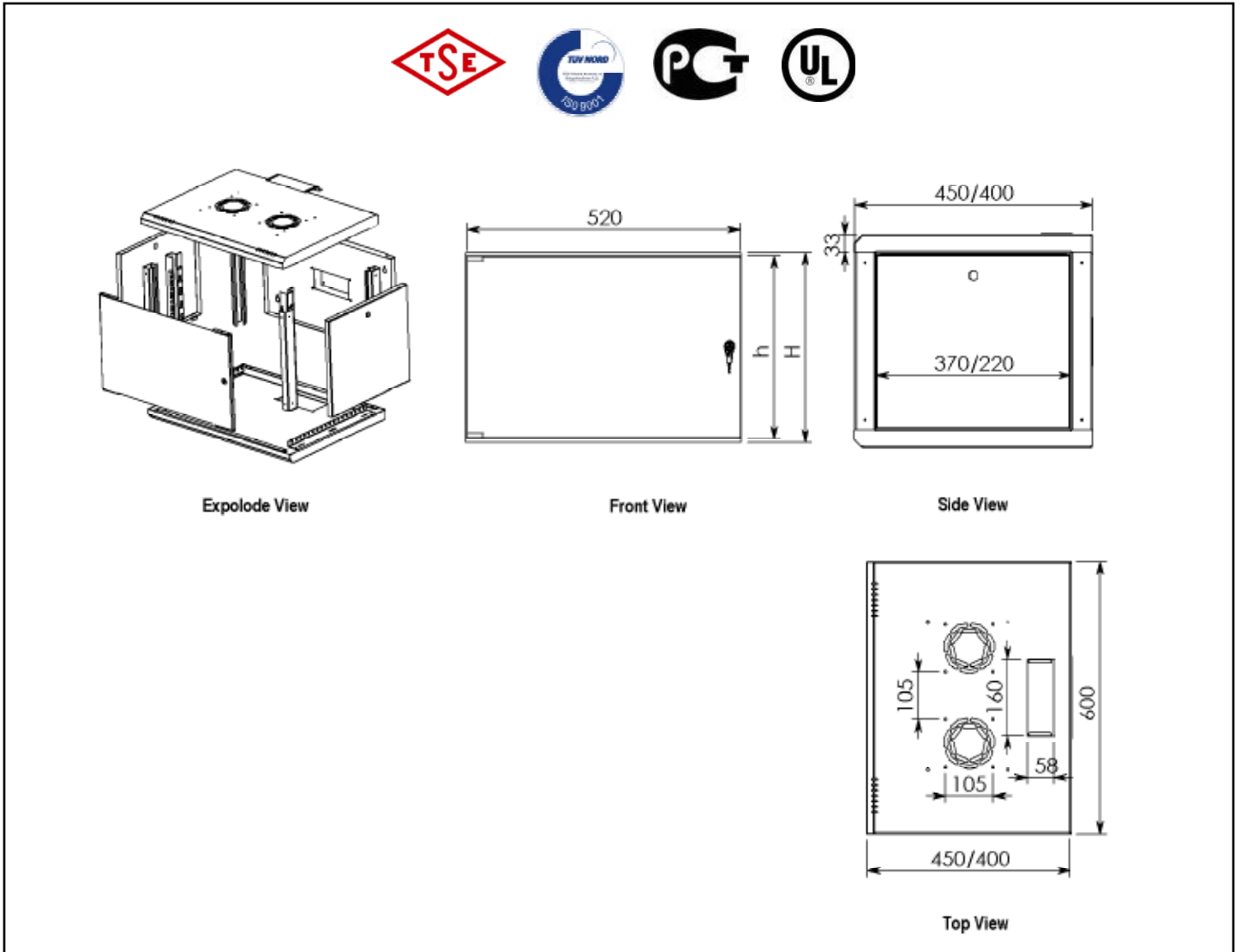
Painting: Ral7035 / Ral9005

Material Definition and Properties , Thicknesses and Shipment Configuration

Part Definition	Material thickness	Material definition & properties	Shipment Configuration
Upper Case	1,2 mm	DIN EN 10130 - 99 EREGLI DC-01 6112 CRS	1ea.
Bottom Case	1,2mm	DIN EN 10130 - 99 EREGLI DC-01 6112 CRS	1ea.
Glass Door	5 mm	SECURE AND TEMPERED GLASS AND LOCK	1ea.
19" mounting angles	1,5 mm	DIN EN 10130 - 99 EREGLI DC-01 6112 & GALVANIZED COATING	4ea. (2ea. at front , 2ea. at rear)
Rear Door	1mm	DIN EN 10130 - 99 EREGLI DC-01 6112 CRS	1ea.
Side Doors	1,5 mm	DIN EN 10130 - 99 EREGLI DC-01 7122 CRS	2ea.

19" Wall Mounting Cabinet / Soholine

TECHNICAL DRAWINGS



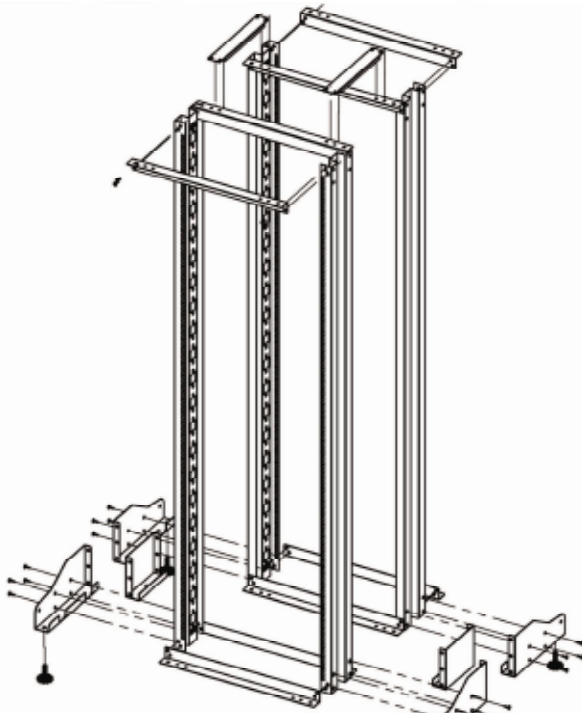
19" Wall Mounting Cabinets/ SOHOLINE width=520 mm depth=400mm			
Order No	U=44.45 (mm)	h= inside height(mm)	H= outside height(mm)
SOHO7U40	7	314,30	359,10
SOHO9U40	9	403,20	448
SOHO12U40	12	536,55	581,35
SOHO06U30**	6	269,85	314,65

** for 6U depth=300 mm

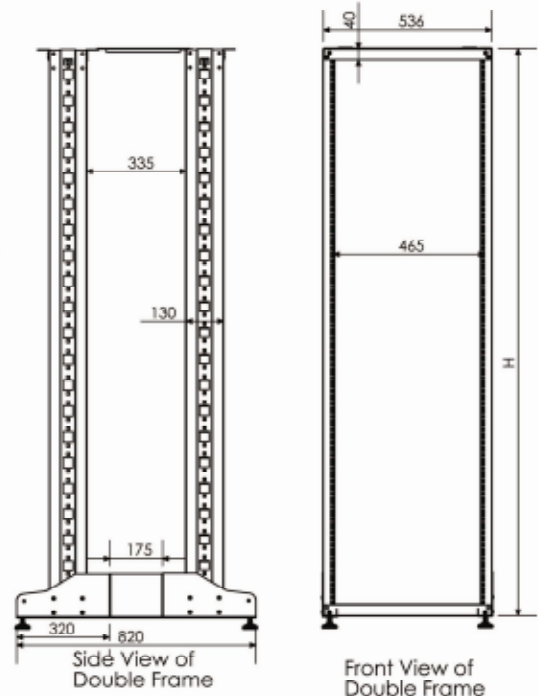
Shipping Data						
Order No	Quantity	Shipping Dimension (palette) WxDxH	Net Weight (kg)	Gross Weight (kg)	Shipping configuration depth (mm)	Max 19" depth
SOHO7U40	50	1120x850x1745	650,00	710,00		
SOHO9U40	50	1240x1080x1875	750,00	820,00		
SOHO12U40	50	1240x1080x1875	880,00	950,00		
SOHO06U30	50	1120x850x1745	500,00	560,00		

19" Relayrack d= 1000mm

TECHNICAL DRAWINGS



View of double frame Relay rack



Side View of Double Frame

Front View of Double Frame

19" Relayrack Double Frame d=1000 mm			
Order No	U =44.45 (mm)	h = inside height(mm)	H = outside height(mm)
MLRCK16U D100	16	714,40	825,60
MLRCK22U D100	22	981,10	1092,30
MLRCK26U D100	26	1158,90	1270,10
MLRCK36U D100	36	1603,40	1714,60
MLRCK42U D100	42	1870,10	1981,40
MLRCK48U D100	48	2136,80	2248,00
TOP COVER 100	optional	width=530 mm	depth=830mm

Shipping Data				
Order No	Quantity	Shipping Dimension (palette) WxHxD	Net Weight (kg)	Gross Weight (kg)
MLRCK16D				
MLRCK22D				
MLRCK26D	1	1,250x180x230	28,00	29,80
MLRCK36D	1	1,700x180x230	33,00	35,50
MLRCK42D	1	1,970x180x230	36,60	39,00
MLRCK48D	1	2,230x180x230	39,00	42,00
TOP COVER 100	1	550x740x53	5,80	6,50