

## PC Carrier



### FEATURES

Excellent solution for any placement of servers, PC's, UPS,  
Speakers  
Modular Structure Flatpackage design

### COMPLIANCES

UL and cUL  
Load Carrying Capacity: 15 kg  
Surface Treatment : Fosfat coating  
Painting : Ral7035 / Ral9005

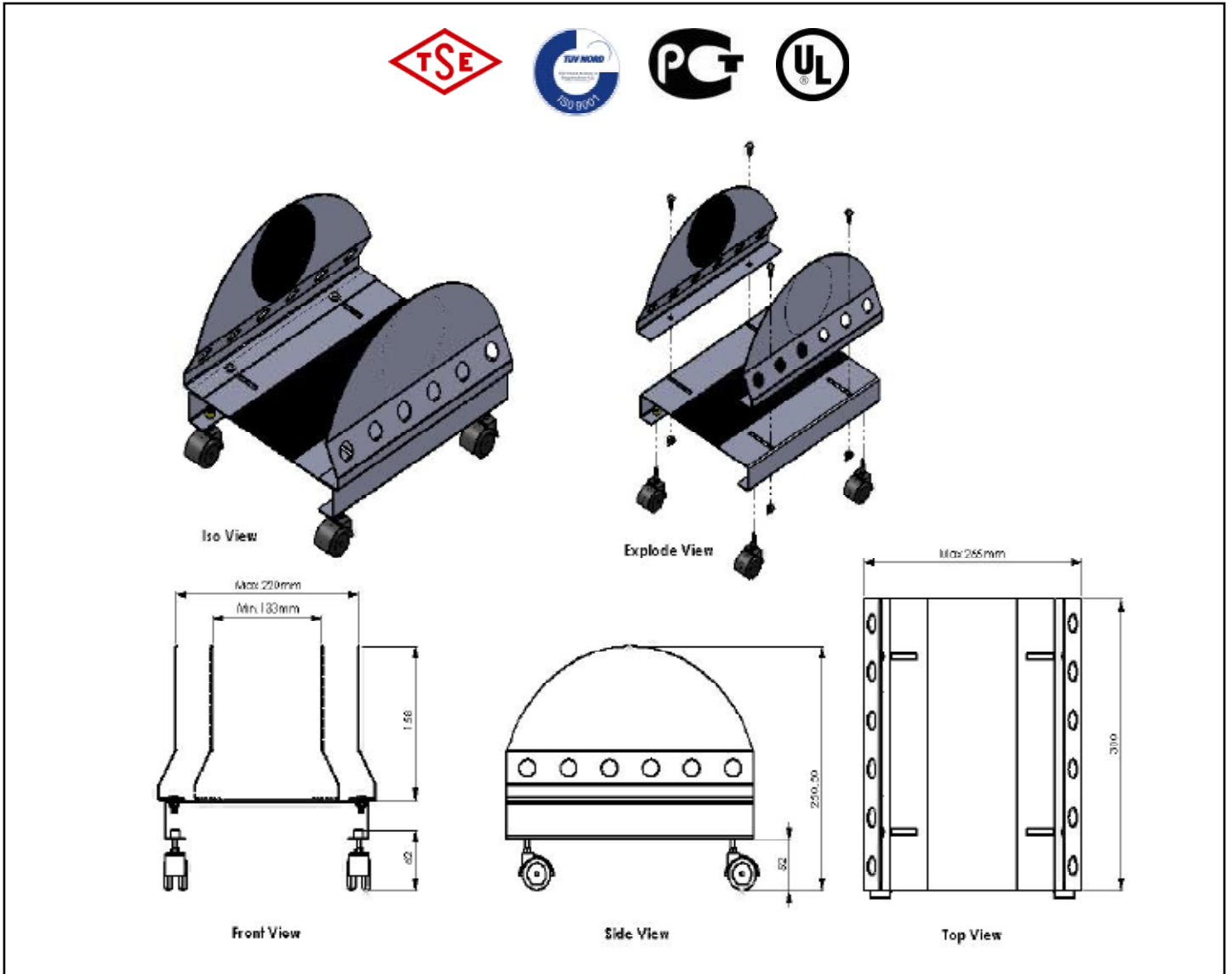
### STANDARDS

ISO 9001:2000

Material Definition and Properties , Thicknesses and Shipment Configuration

Part Definition	Material thickness	Material definition & properties	Shipment Configuration
Side Panel	1,5 mm	DIN EN 10130 - 99 EREGLI DC-01 6112 CRS	1ea.
Bottom Chassis	1,5 mm	DIN EN 10130 - 99 EREGLI DC-01 6112 CRS	2ea.

## TECHNICAL DRAWINGS



PC Carrier	
Order No	Product Definition
EST90 03	Stand-Carrier for PC-UPS-SPEAKER

Shipping Data				
Order No	Quantity	Shipping Dimension (palette) WxHxD	Net Weight (kg)	Gross Weight (kg)
EST90 03				