

19" Mounting Angles – Profiles



FEATURES

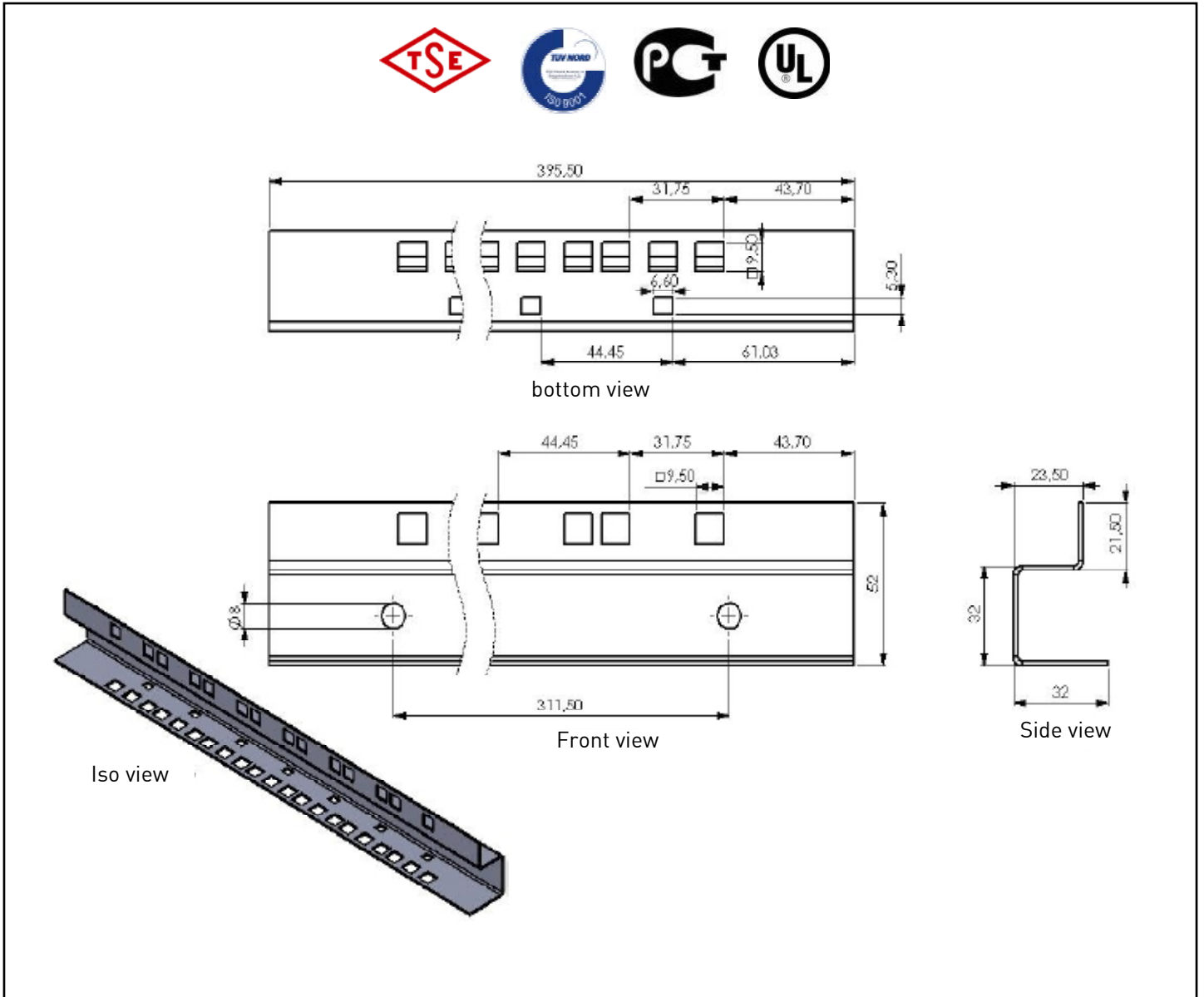
All ESTAP cabinets have delivered with 19" mounting angles.
 If any usage and need extra profiles than you can order as follow.
 Please check before order shipment configurations of cabinets.
 All free standing cabinet have 4ea. (2ea. In front, 2ea. At rear) 19" profiles, wall mounting cabinet have 2ea (in front) 19" profiles.
 Colour: Galvanized steel

Material Definition and Properties, Thicknesses and Shipment Configuration

Part Definition	Material thickness	Material definition & properties	Shipment Configuration
19" Mounting Angles	1,5 mm	GALVANIZED	2ea.

7U Proline 19" mounting angles

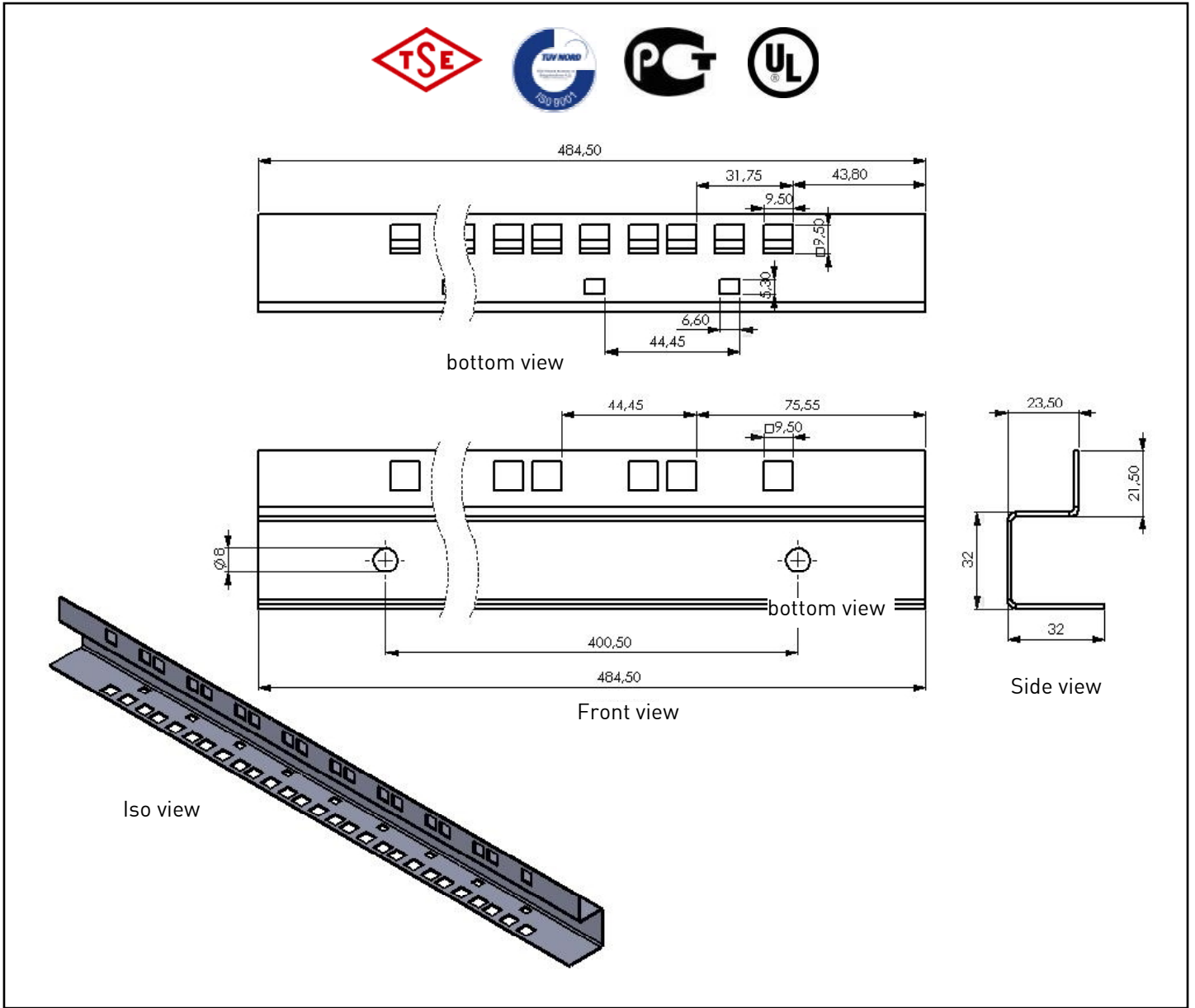
TECHNICAL DRAWINGS



7U Proline 19 " mounting angles		
Order No	Product Definition	Dimensions (wxdxh) mm
CMD 7U PROLINE	7U 19" mounting angles 1set=2ea. (left+right)	31x54x396

9U Proline 19" mounting angles

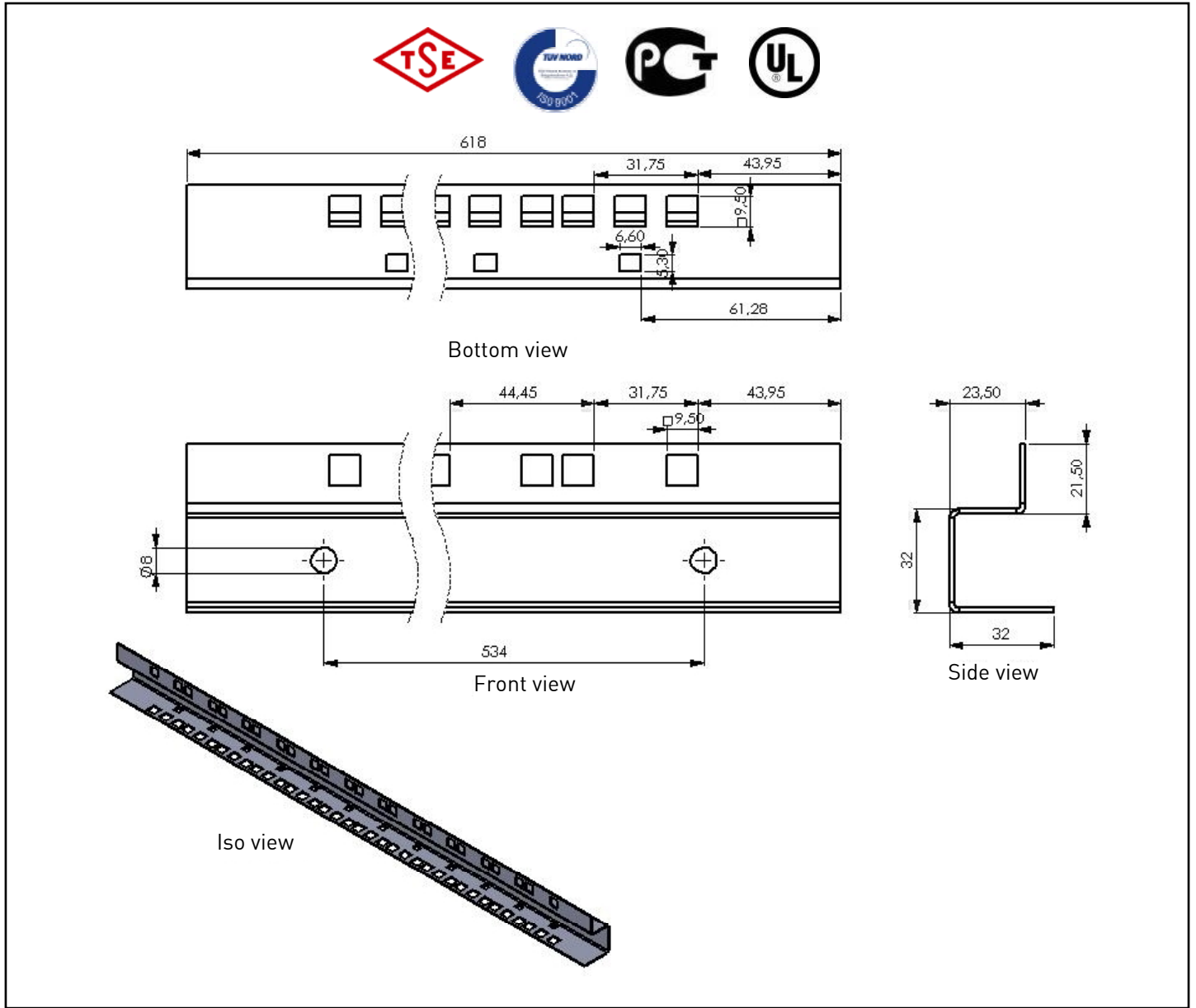
TECHNICAL DRAWINGS



9U Proline 19 " mounting angles		
Order No	Product Definition	Dimensions (wxdxh) mm
CMD 9U PROLINE	9U 19" mounting angles 1set=2ea. (left+right)	31x54x485

12U Proline 19" mounting angles

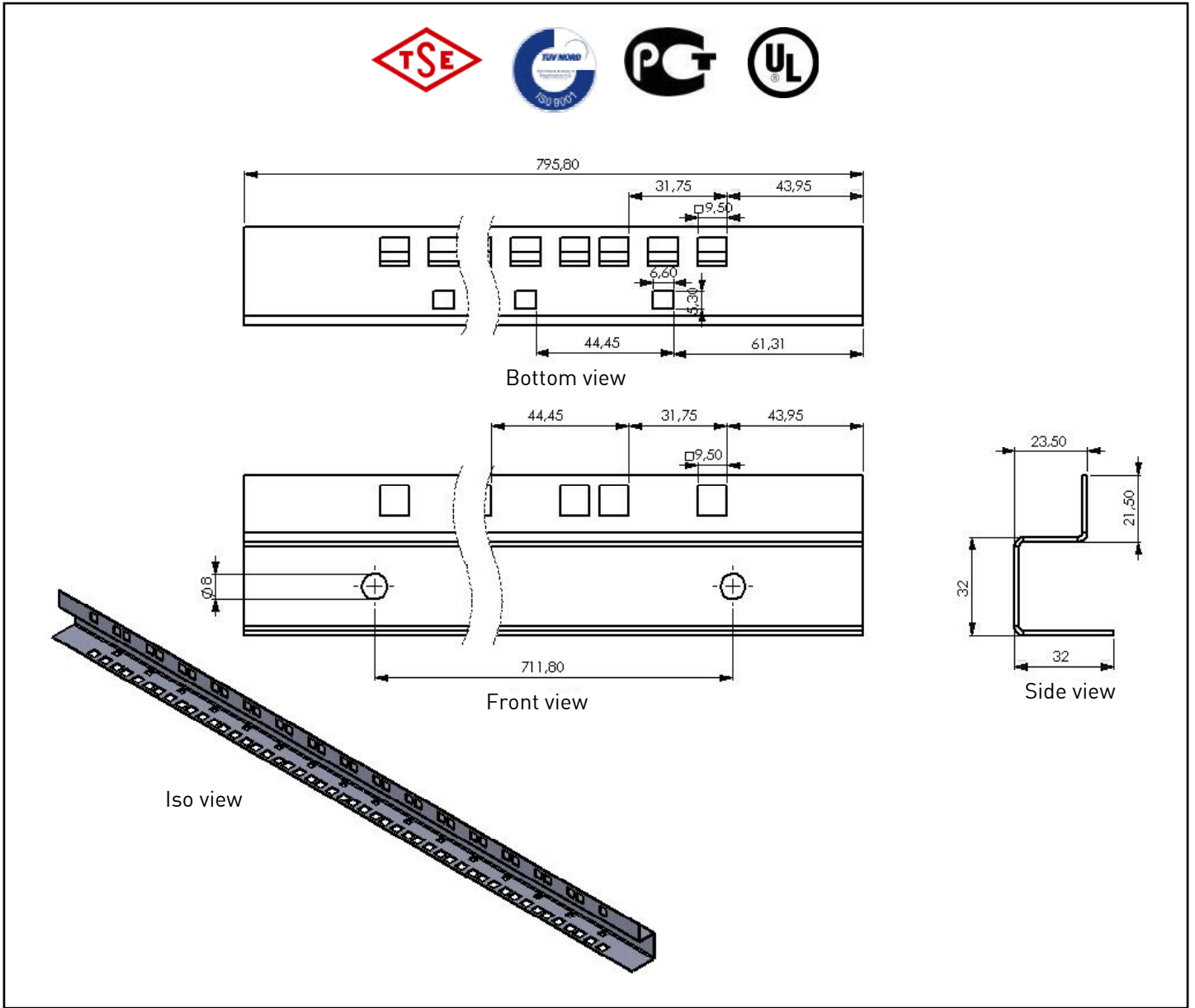
TECHNICAL DRAWINGS



12U Proline 19" mounting angles		
Order No	Product Definition	Dimensions (wxdxh) mm
CMD 12U PROLINE	12U 19" mounting angles 1set=2ea. (left+right)	31x54x618

16U Proline 19" mounting angles

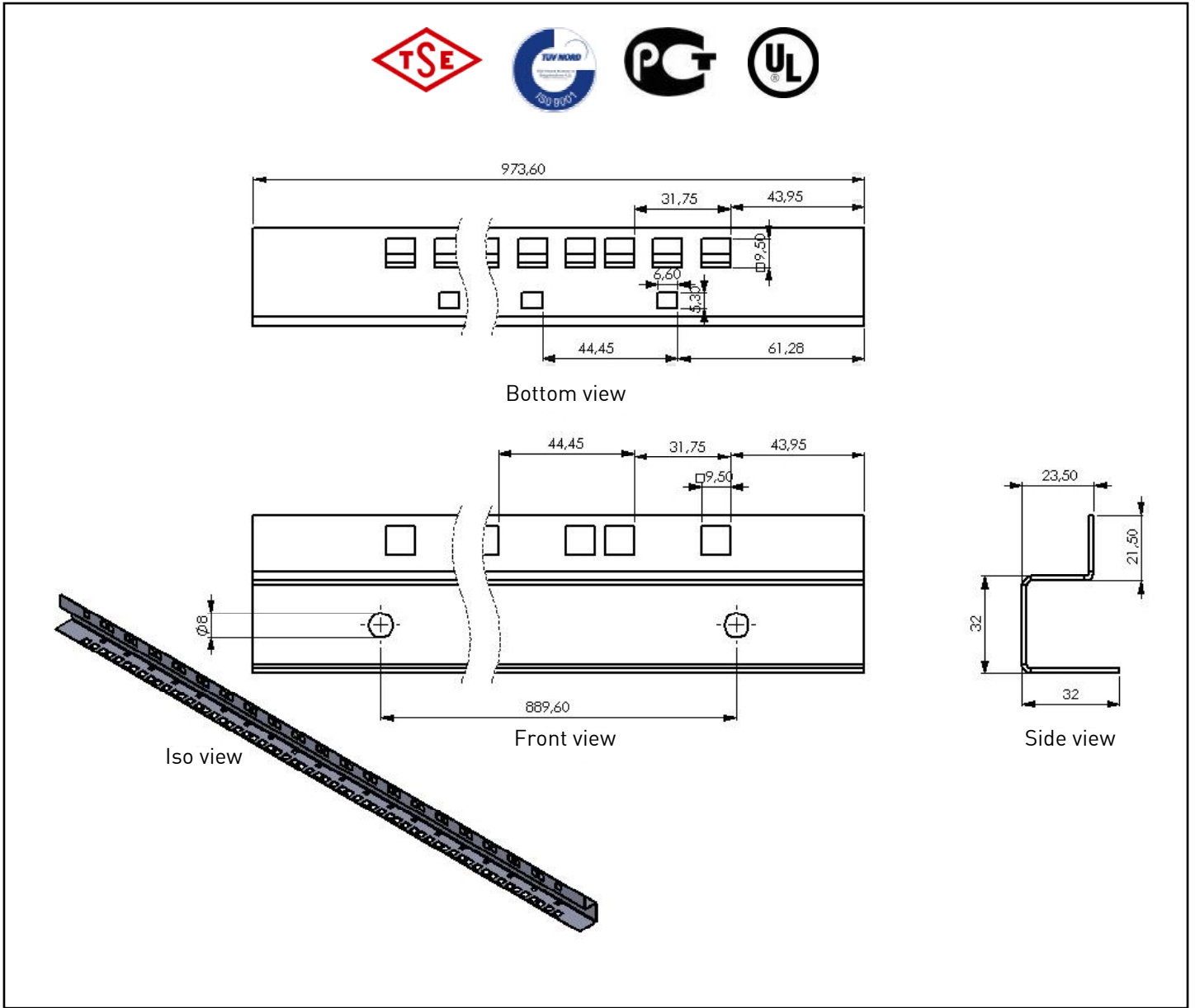
TECHNICAL DRAWINGS



16U Proline 19" mounting angles		
Order No	Product Definition	Dimensions (wxdxh) mm
CMD 16U PROLINE	16U 19" mounting angles 1set=2ea. (left+right)	31x54x796

20U Proline 19" mounting angles

TECHNICAL DRAWINGS

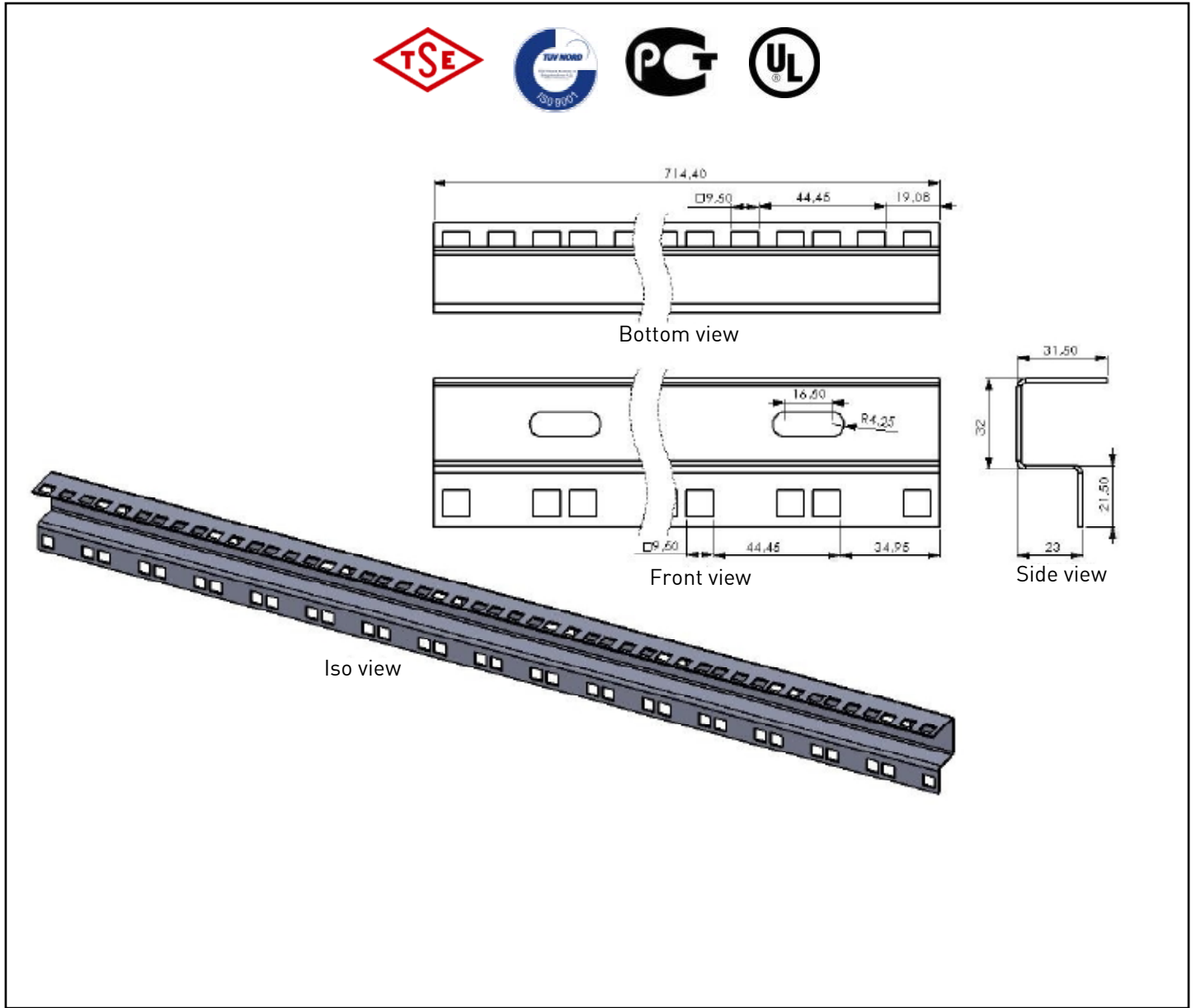


20U Proline 19 " mounting angles

Order No	Product Definition	Dimensions (wxdxh) mm
CMD 20U PROLINE	20U 19" mounting angles 1set=2ea. (left+right)	31x54x973

16U Universalline 19" mounting angles

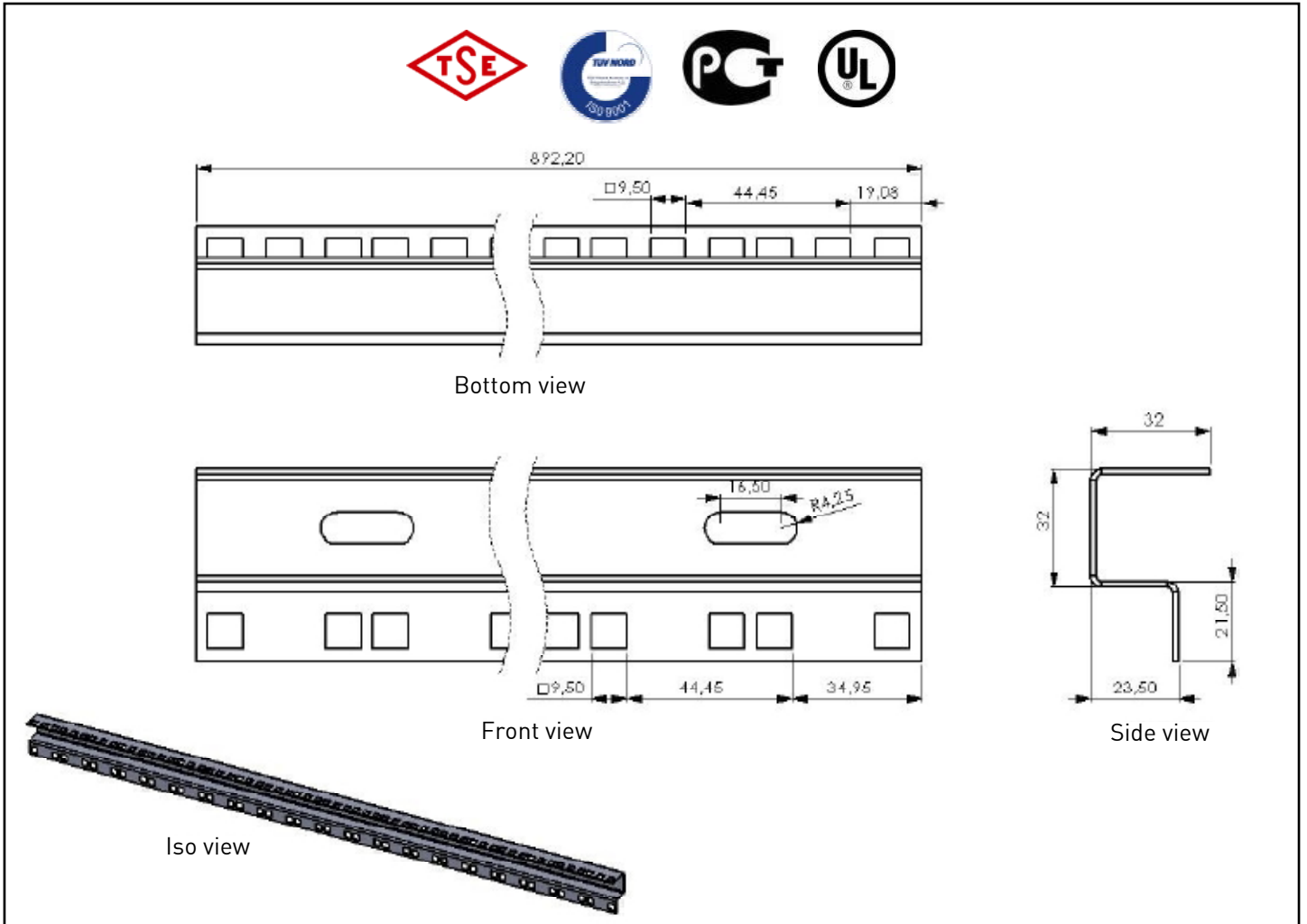
TECHNICAL DRAWINGS



16U Universalline 19 " mounting angles		
Order No	Product Definition	Dimensions (wxdxh) mm
CMD 16U UNV	16U 19" mounting angles 1set=2ea. (left+right)	31x54x714

20U Universalline 19" mounting angles

TECHNICAL DRAWINGS

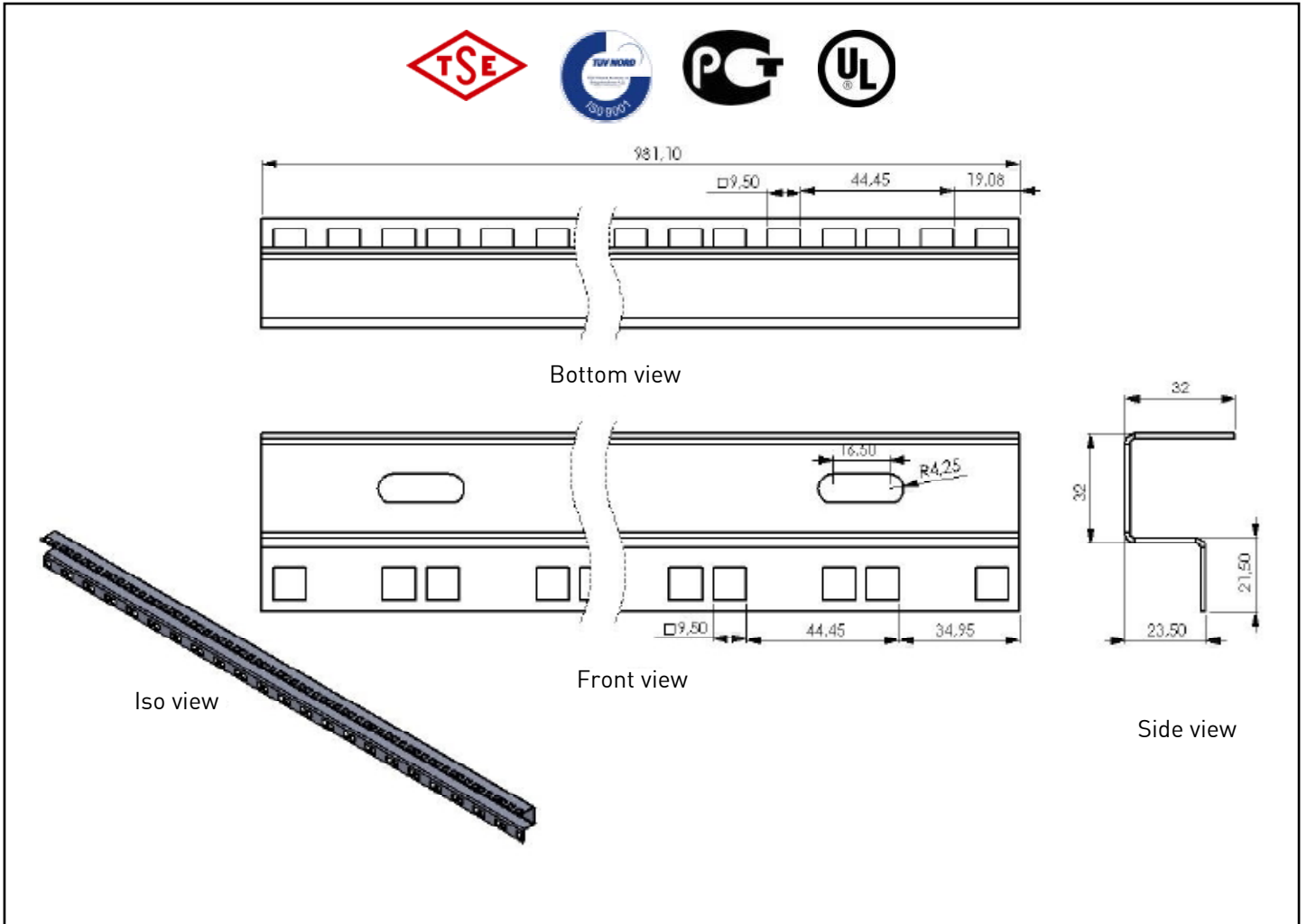


20U Universalline 19" mounting angles

Order No	Product Definition	Dimensions (wxdxh) mm
CMD 20U UNV	20U 19" mounting angles 1set=2ea. (left+right)	31x54x892

22U Universalline 19" mounting angles

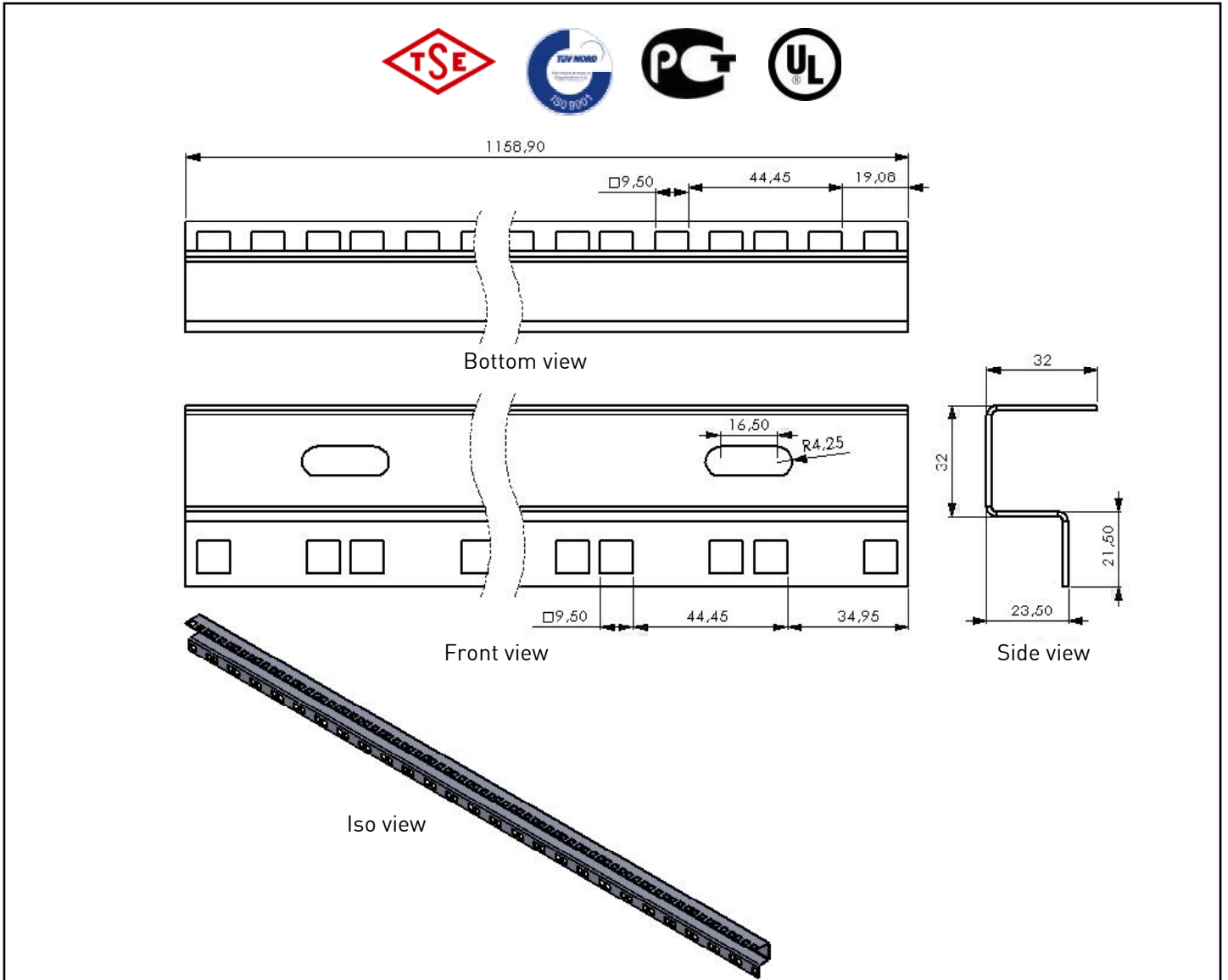
TECHNICAL DRAWINGS



22U Universalline 19 " mounting angles		
Order No	Product Definition	Dimensions (wxdxh) mm
CMD 22U UNV	22U 19" mounting angles 1set=2ea. (left+right)	31x54x981

26U Universalline 19" mounting angles

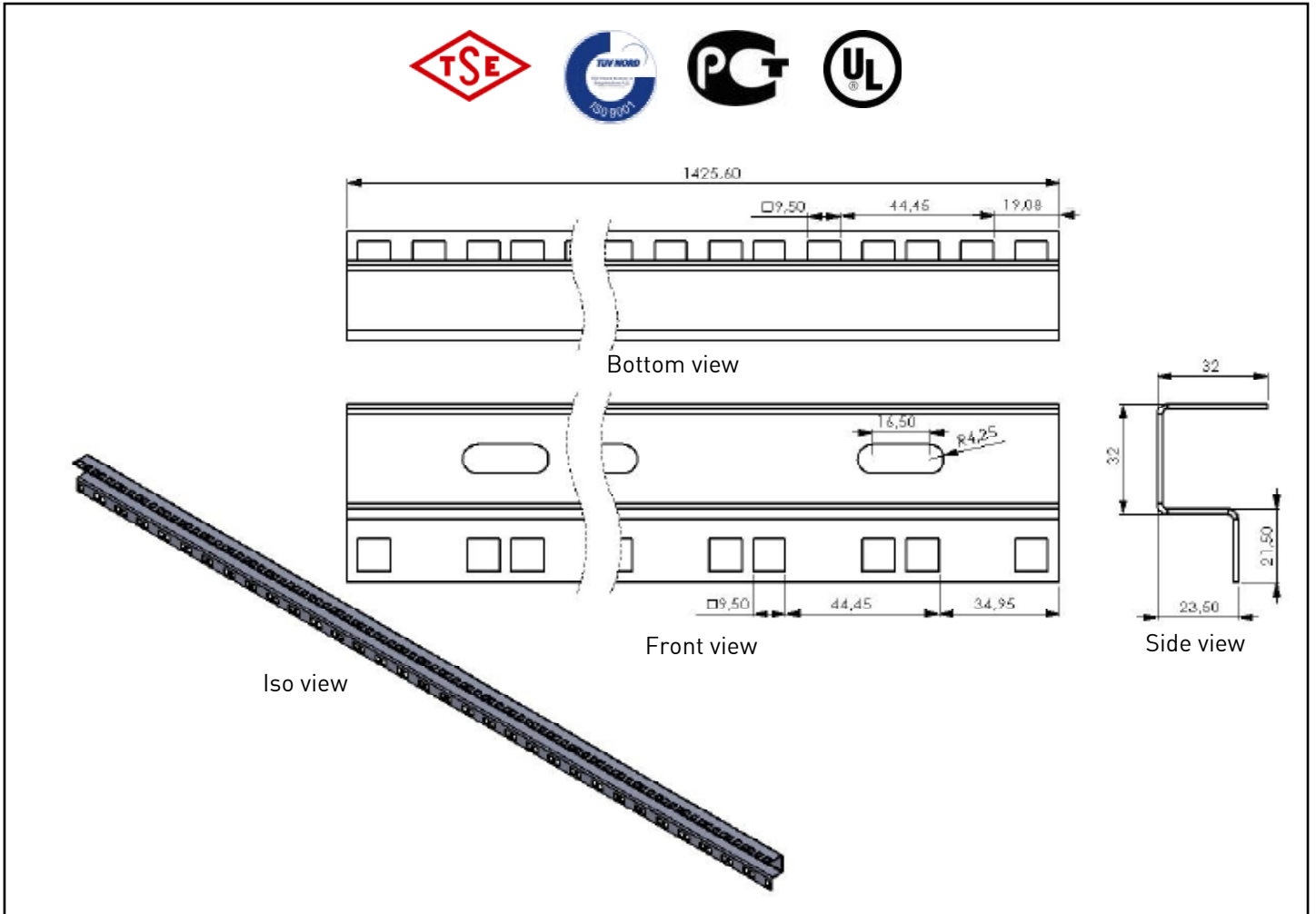
TECHNICAL DRAWINGS



26U Universalline 19" mounting angles		
Order No	Product Definition	Dimensions (wxdxh) mm
CMD 26U UNV	26U 19" mounting angles 1set=2ea. (left+right)	31x54x1159

32U Universalline 19" mounting angles

TECHNICAL DRAWINGS

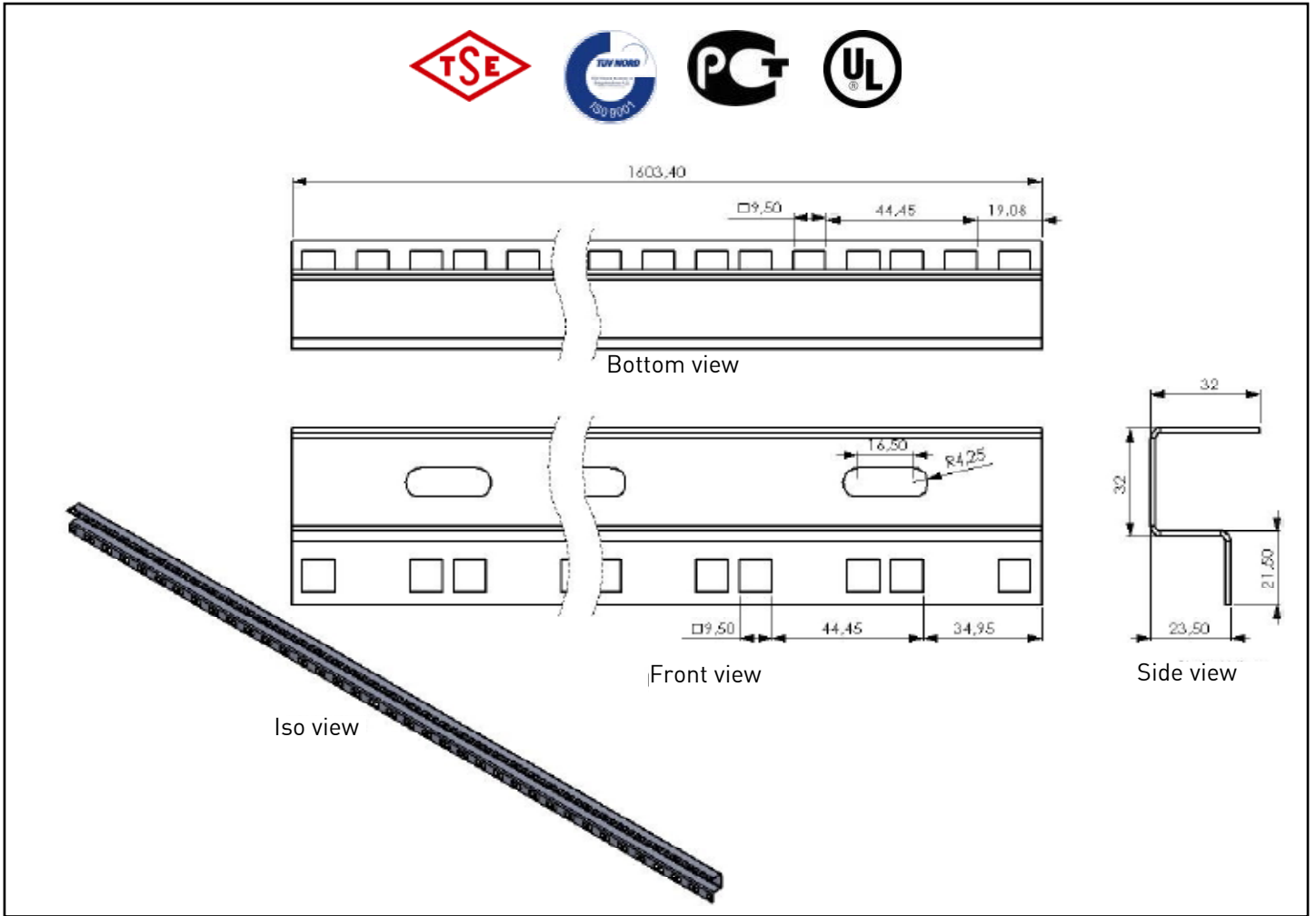


32U Universalline 19" mounting angles

Order No	Product Definition	Dimensions (wxdxh) mm
CMD 32U UNV	32U 19" mounting angles 1set=2ea. (left+right)	31x54x1425

36U Universalline 19" mounting angles

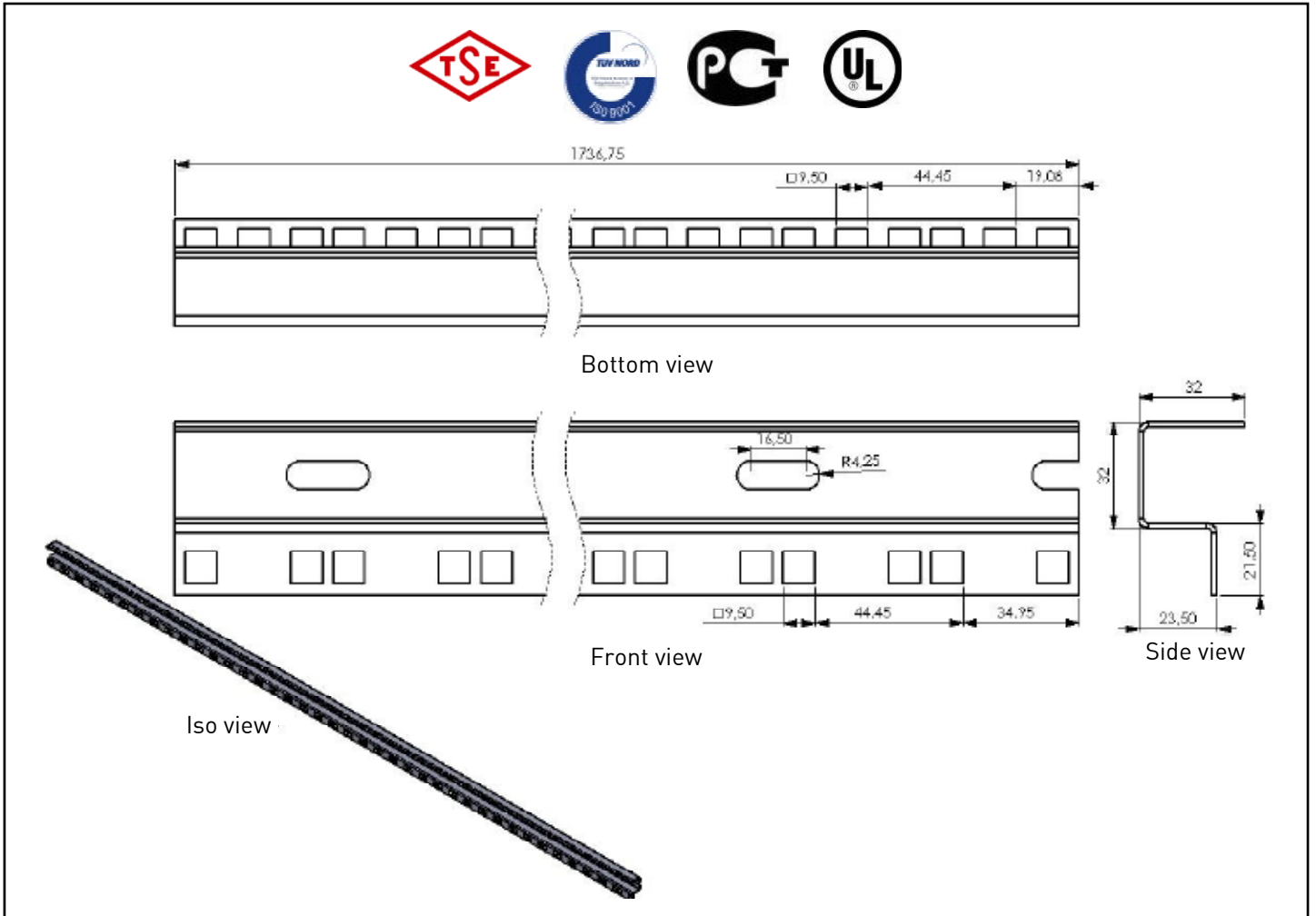
TECHNICAL DRAWINGS



36U Universalline 19 " mounting angles		
Order No	Product Definition	Dimensions (wxdxh) mm
CMD 36U UNV	36U 19" mounting angles 1set=2ea. (left+right)	31x54x1603

39U Universalline 19" mounting angles

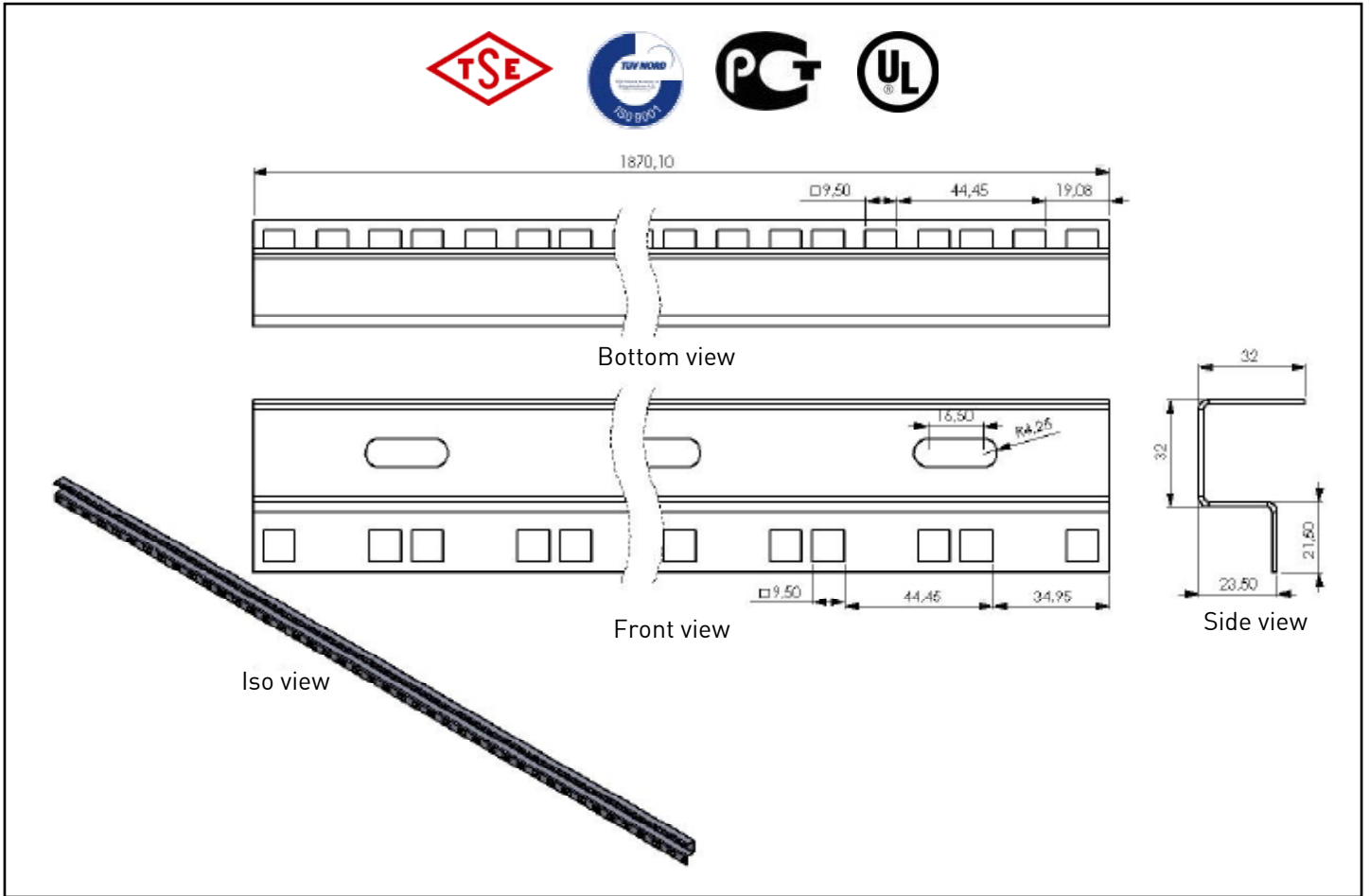
TECHNICAL DRAWINGS



39U Universalline 19 " mounting angles		
Order No	Product Definition	Dimensions (wxdxh) mm
CMD 39U UNV	39U 19" mounting angles 1set=2ea. (left+right)	31x54x1736

42U Universalline 19" mounting angles

TECHNICAL DRAWINGS

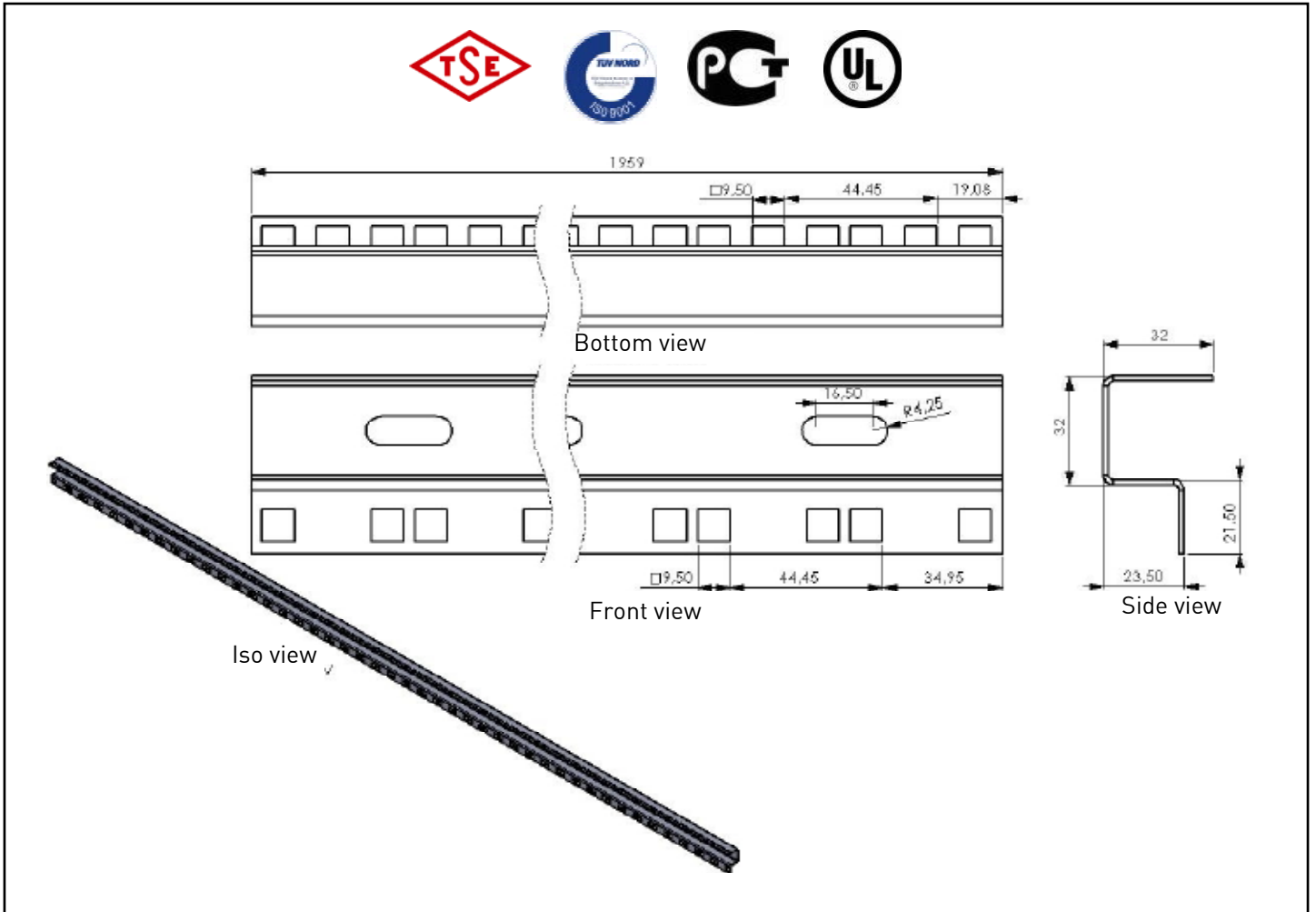


42U Universalline 19 " mounting angles

Order No	Product Definition	Dimensions (wxdxh) mm
CMD 42U UNV	42U 19" mounting angles 1set=2ea. (left+right)	31x54x1870

44U Universalline 19" mounting angles

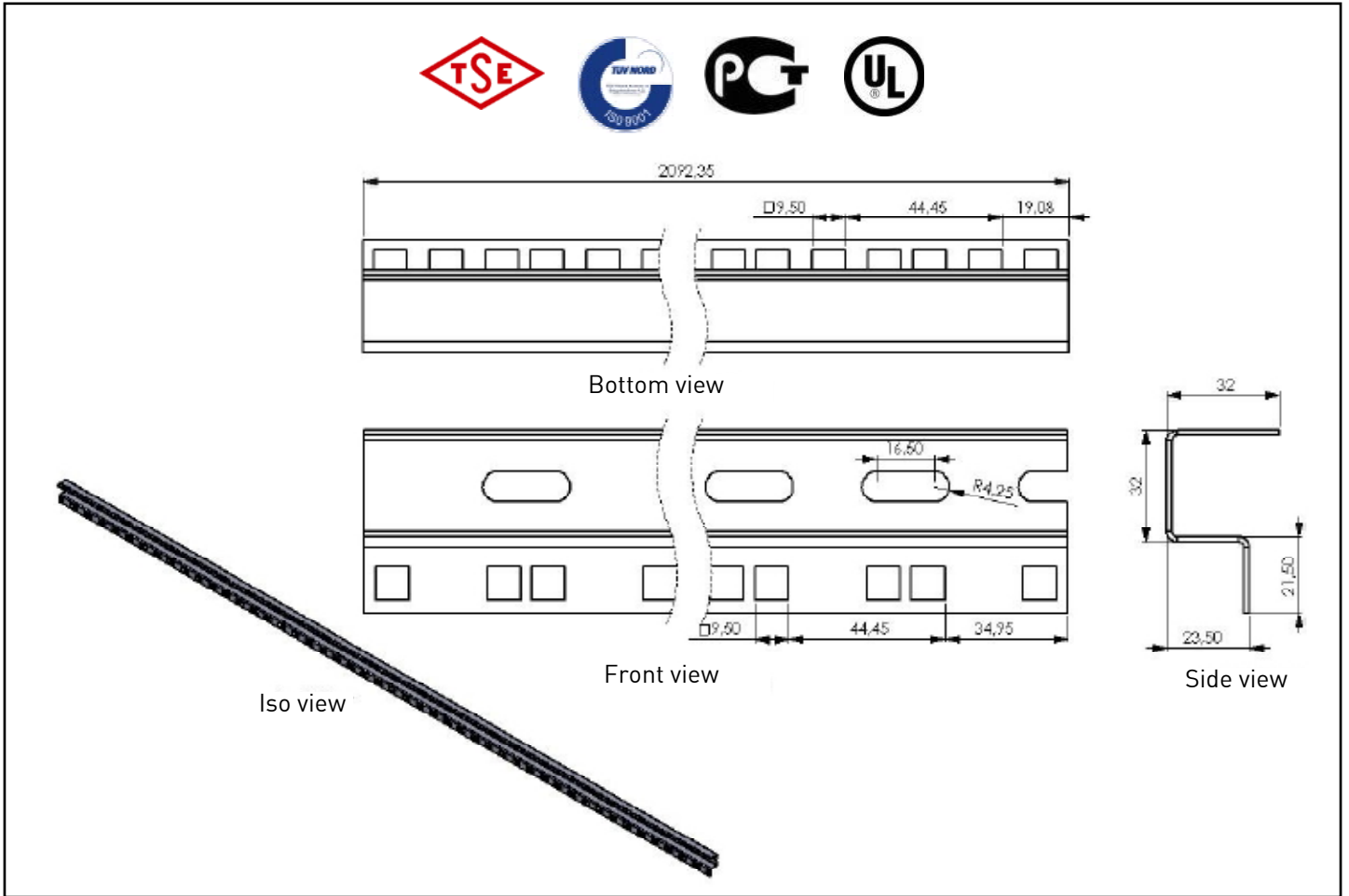
TECHNICAL DRAWINGS



44U Universalline 19 " mounting angles		
Order No	Product Definition	Dimensions (wxdxh) mm
CMD 44U UNV	44U 19" mounting angles 1set=2ea. (left+right)	31x54x1959

47U Universalline 19" mounting angles

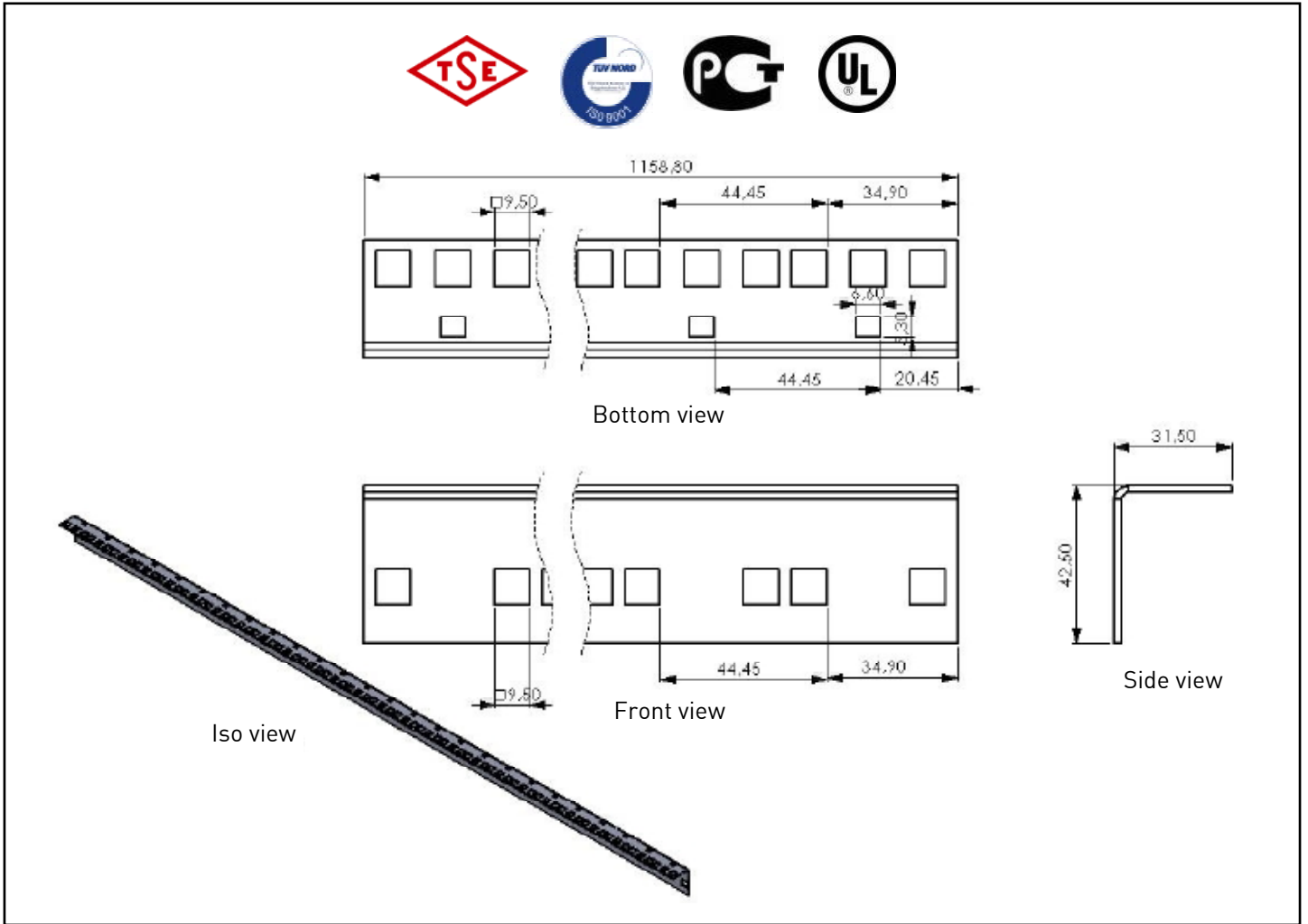
TECHNICAL DRAWINGS



47U Universalline 19 " mounting angles		
Order No	Product Definition	Dimensions (wxdxh) mm
CMD 47U UNV	47U 19" mounting angles 1set=2ea. (left+right)	31x54x2092

26U Server 19" mounting angles

TECHNICAL DRAWINGS

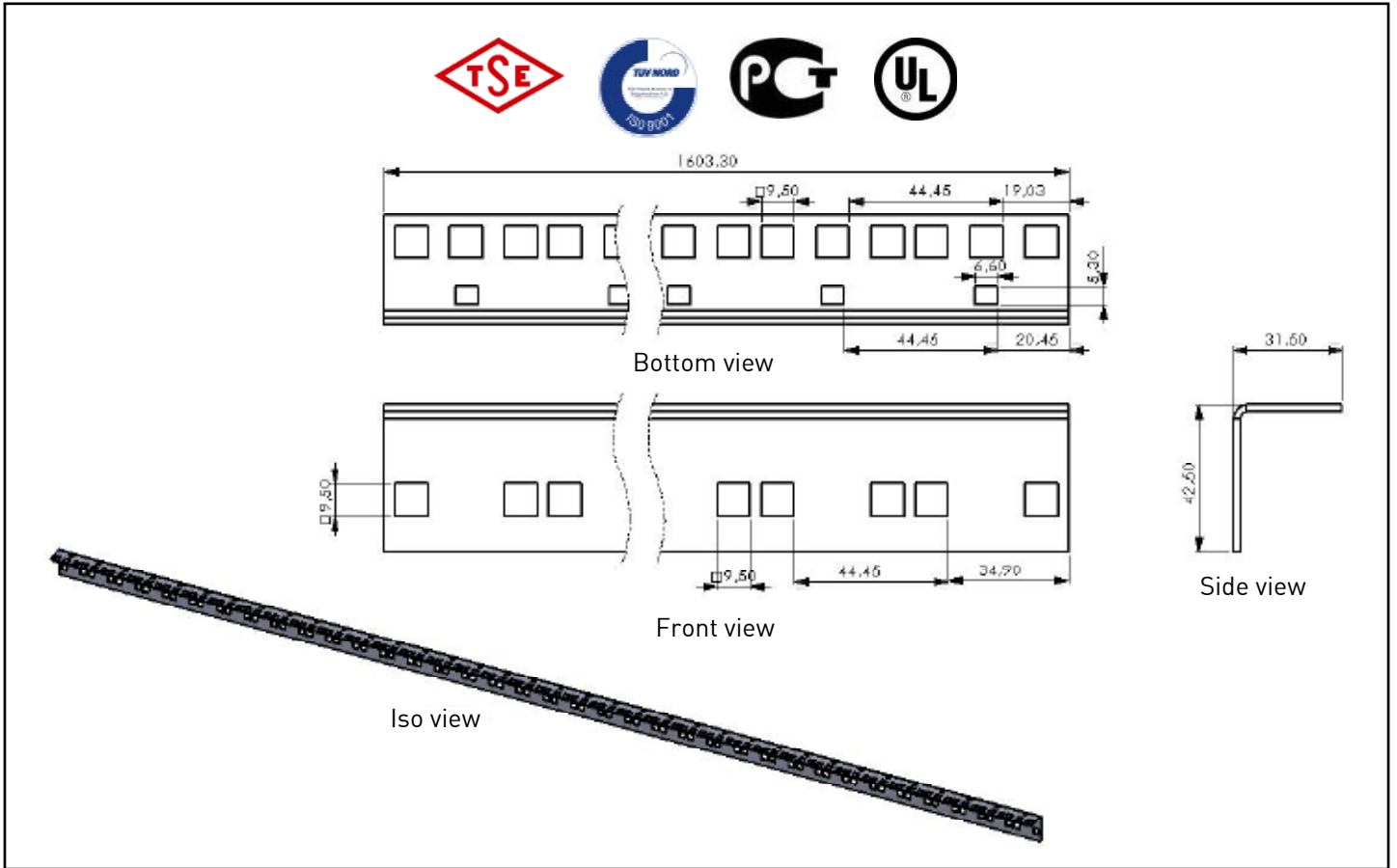


26U Server 19 " mounting angles

Order No	Product Definition	Dimensions (wxdxh) mm
CMD 26U SRV	26U 19" mounting angles 1set=2ea. (left+right)	31x43x1159

36U Server 19" mounting angles

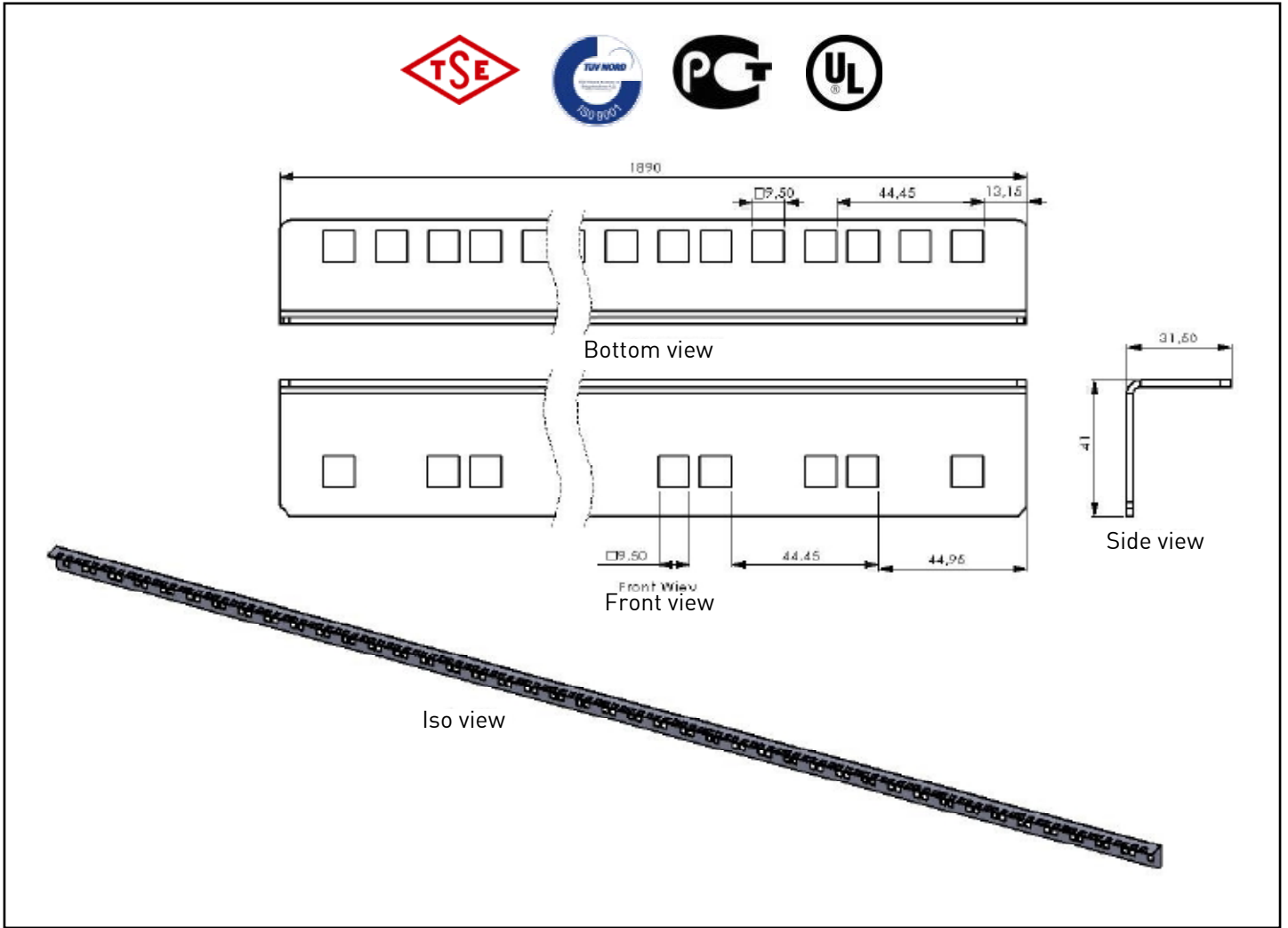
TECHNICAL DRAWINGS



36U Server 19 " mounting angles		
Order No	Product Definition	Dimensions (wxdxh) mm
CMD 36U SRV	36U 19" mounting angles 1set=2ea. (left+right)	31x43x1603

42U Server 19" mounting angles

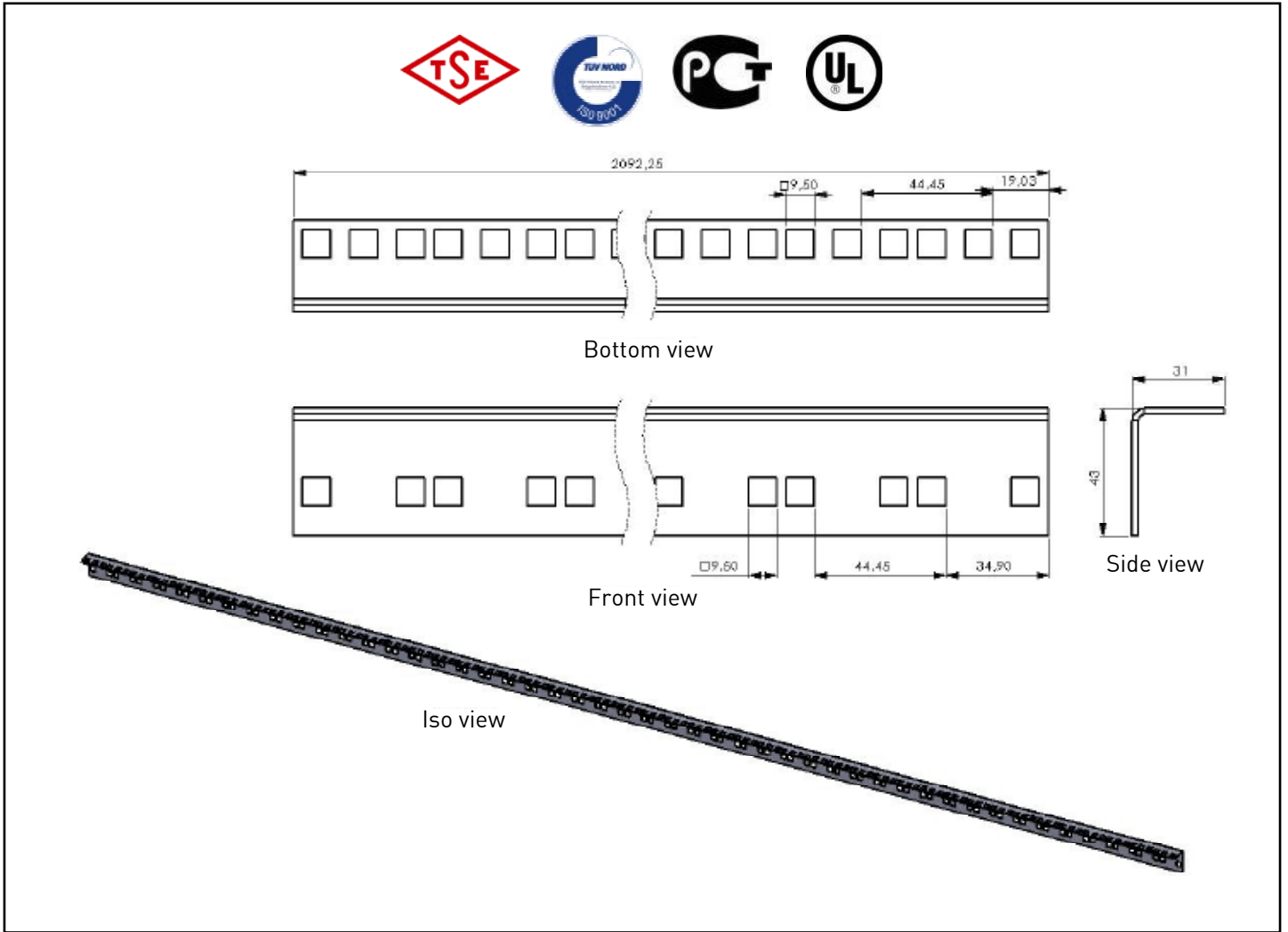
TECHNICAL DRAWINGS



42U Server 19 " mounting angles		
Order No	Product Definition	Dimensions (wxdxh) mm
CMD 42U SRV	42U 19" mounting angles 1set=2ea. (left+right)	31x43x1870

47U Server 19" mounting angles

TECHNICAL DRAWINGS



47U Server 19 " mounting angles

Order No	Product Definition	Dimensions (wxdxh) mm
CMD 47U SRV	47U 19" mounting angles 1set=2ea. (left+right)	31x43x2092