

Baying Kit



FEATURES

It is used for baying of cabinets, the vertical uprights can be connected to each other by using baying kit

COMPLIANCES

UL and cUL

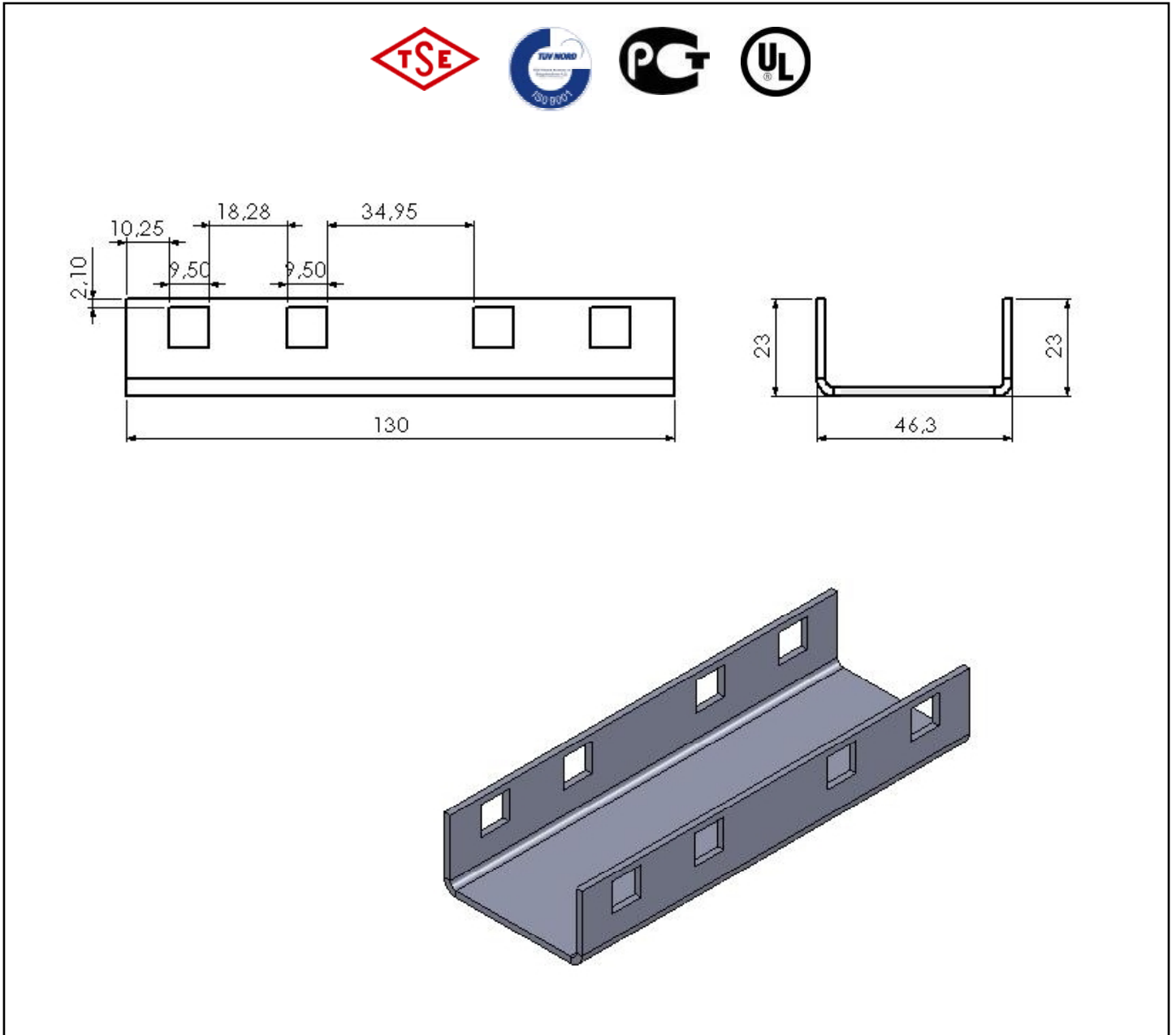
Painting: Galvanized

Material Definition and Properties, Thicknesses and Shipment Configuration

Part Definition	Material thickness	Material definition & properties	Shipment Configuration
Baying Kit	2,0 mm	GALVANIZED	1ea.

Baying Kit for all type cabinets

TECHNICAL DRAWINGS

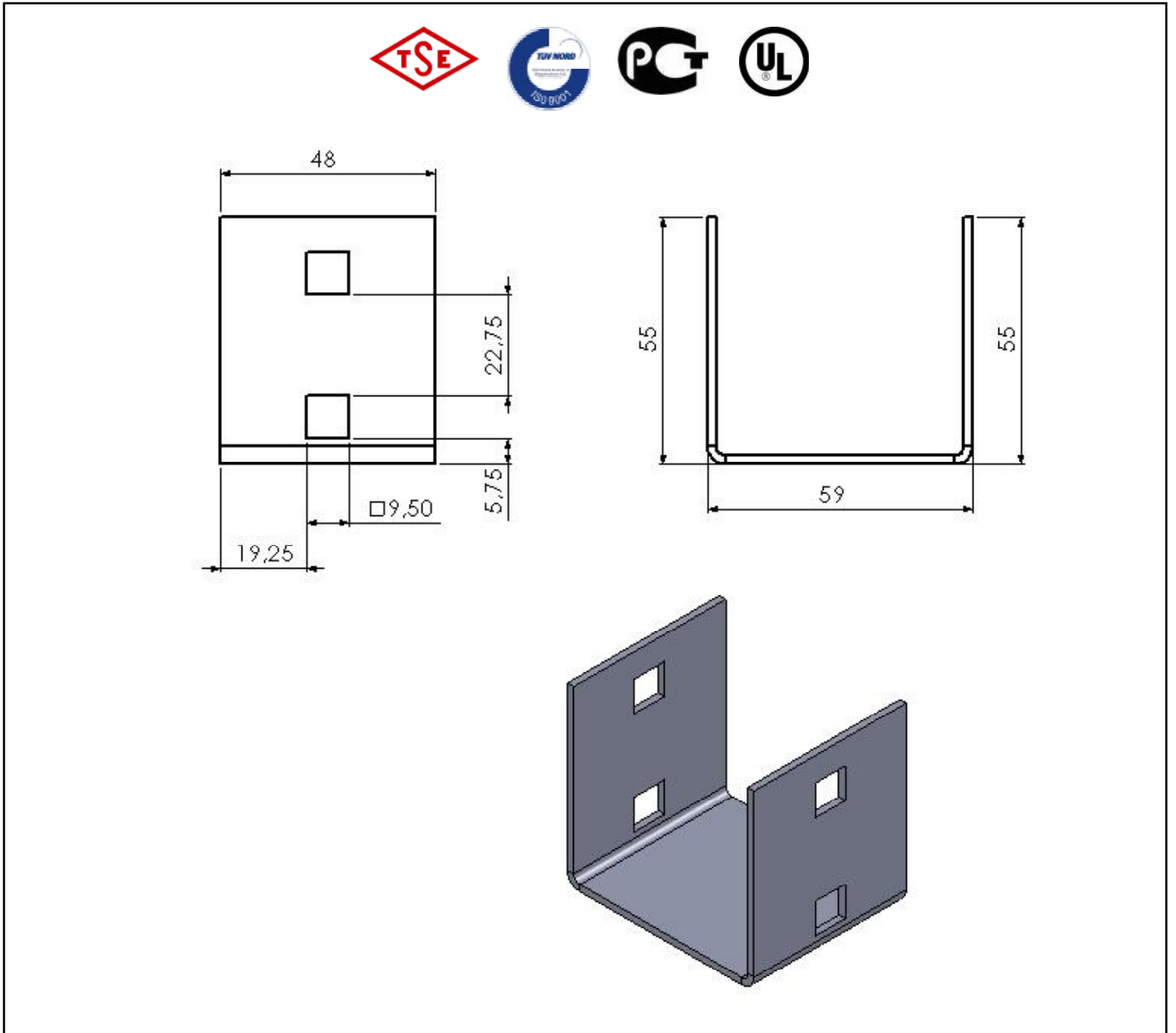


Baying Kit		
Order No	Product Definition	Dimensions (wxhxh) mm
M44BLG01	Baying kit for all type of cabinets	46x130x23

Shipping Data				
Order No	Quantity	Shipping Dimension (palette) WxHxD	Net Weight (kg)	Gross Weight (kg)
M44BLG01	26	560x425x122	23,66	24,33

Baying Kit for relayrack

TECHNICAL DRAWINGS



Baying Kit		
Order No	Product Definition	Dimensions (wxdxh) mm
M44BLG02	Baying kit for relayrack	58x48x55

Shipping Data				
Order No	Quantity	Shipping Dimension (palette) WxHxD	Net Weight (kg)	Gross Weight (kg)
M44BLG02	26	560x425x122	19,084	19,764