

Plinth



FEATURES

Plinth is designed to higher the cabinet 100 mm up from the floor. Inside is used for cable management and storage for cable bundles. It has 4 side removable covers, at rear side there is brush cable entry. Easy to fix on cabinet

COMPLIANCES

UL and cUL

Surface Treatment: Fosfat coating

Painting: Ral7035 / Ral9005

STANDARDS

ISO 9001:2000

TSE:EN 61587-1 Mechanical Structures For Electronic Equipment - Tests For IEC 60917 And IEC 60297

Climatic and Environment: EN 61587-1/4.2, IEC60068-2-1, IEC60068-2-2, IEC60068-2-30,

Static Mechanical Load Lifting: EN61587-1/5.2.1

Static Mechanical Load Stiffness:EN61587-1/5.2.2

Dynamic Mechanical Load Vibration and Shock, Impact:

EN61587-1/5.3.1,EN61587-1/5.3.3,IEC60068-2-6, IEC60068-2-27,

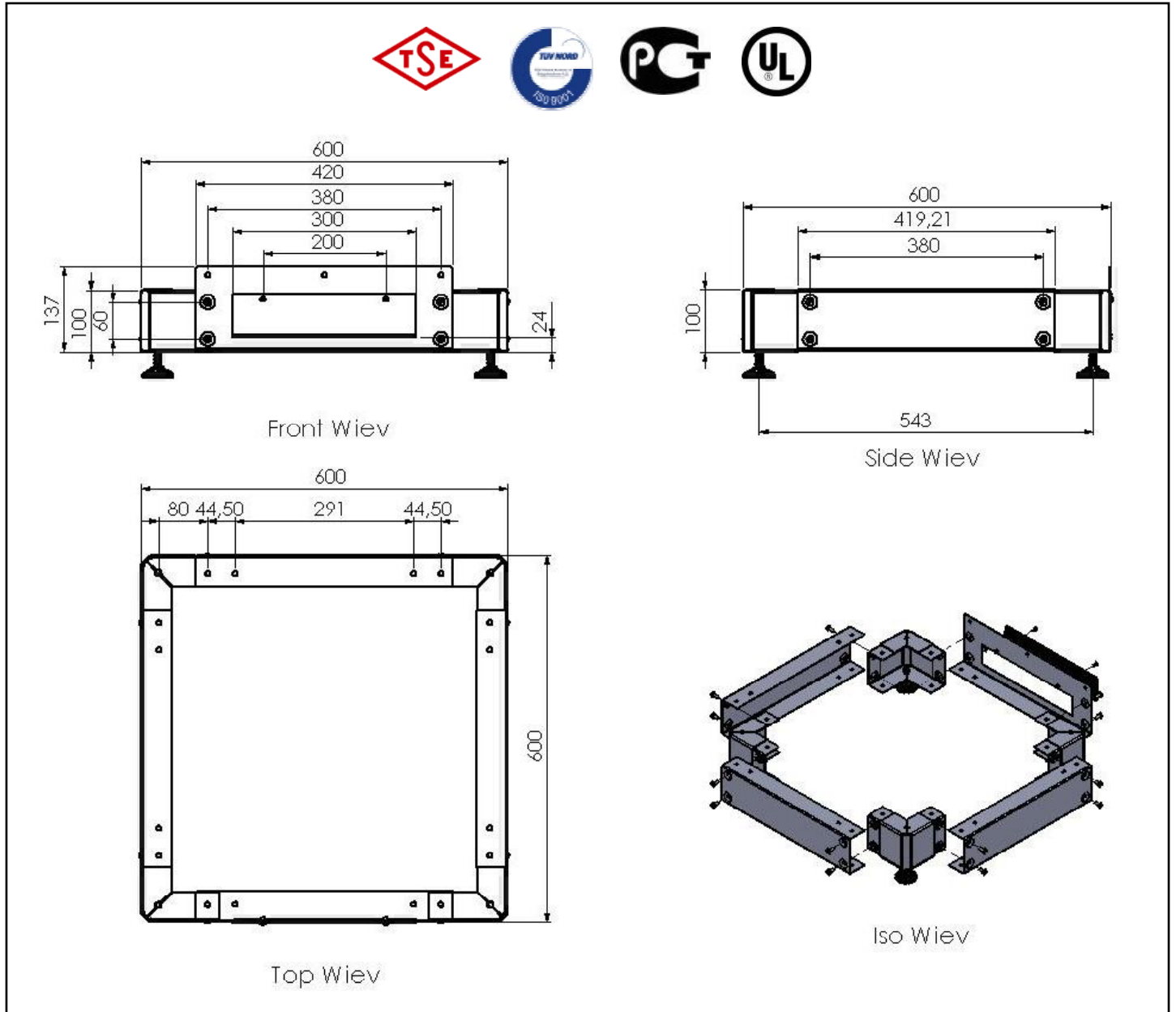
Flammability: EN61587-1/6.3

Material Definition and Properties, Thicknesses and Shipment Configuration

Part Definition	Material thickness	Material definition & properties	Shipment Configuration
Plinth Side	1,50 mm	DIN EN 10130 - 99 EREGLI DC-01 6112 CRS	2ea.
Plinth Corner Inner Part	1,50 mm	DIN EN 10130 - 99 EREGLI DC-01 6112 CRS	2ea.
Plinth Corner Outer Part	1,50 mm	DIN EN 10130 - 99 EREGLI DC-01 6112 CRS	2ea.

Plinth W=600 mm D=600 mm Universalline

TECHNICAL DRAWINGS

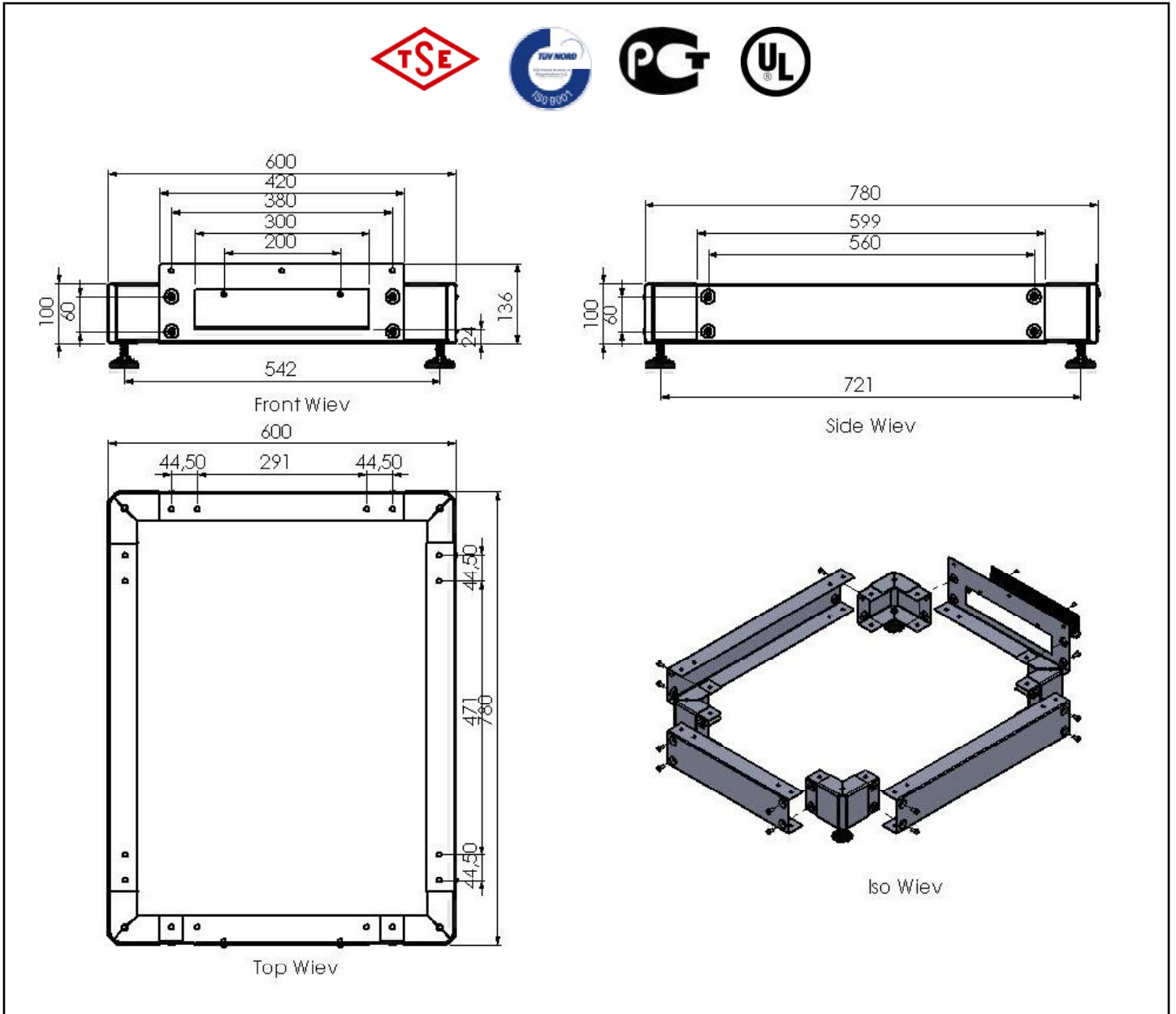


Plinth w=600 mm d=600 mm Universalline		
Order No	Product Definition	Dimensions (wxdxh) mm
M11PNT66	Plinth width=600 mm depth=600 mm Universalline	600x600x100

Shipping Data				
Order No	Quantity	Shipping Dimension (palette) WxHxD	Net Weight (kg)	Gross Weight (kg)
M11PNT66	1	686x617x150	7,500	9,500

Plinth W=600 mm D=800 mm Universalline

TECHNICAL DRAWINGS

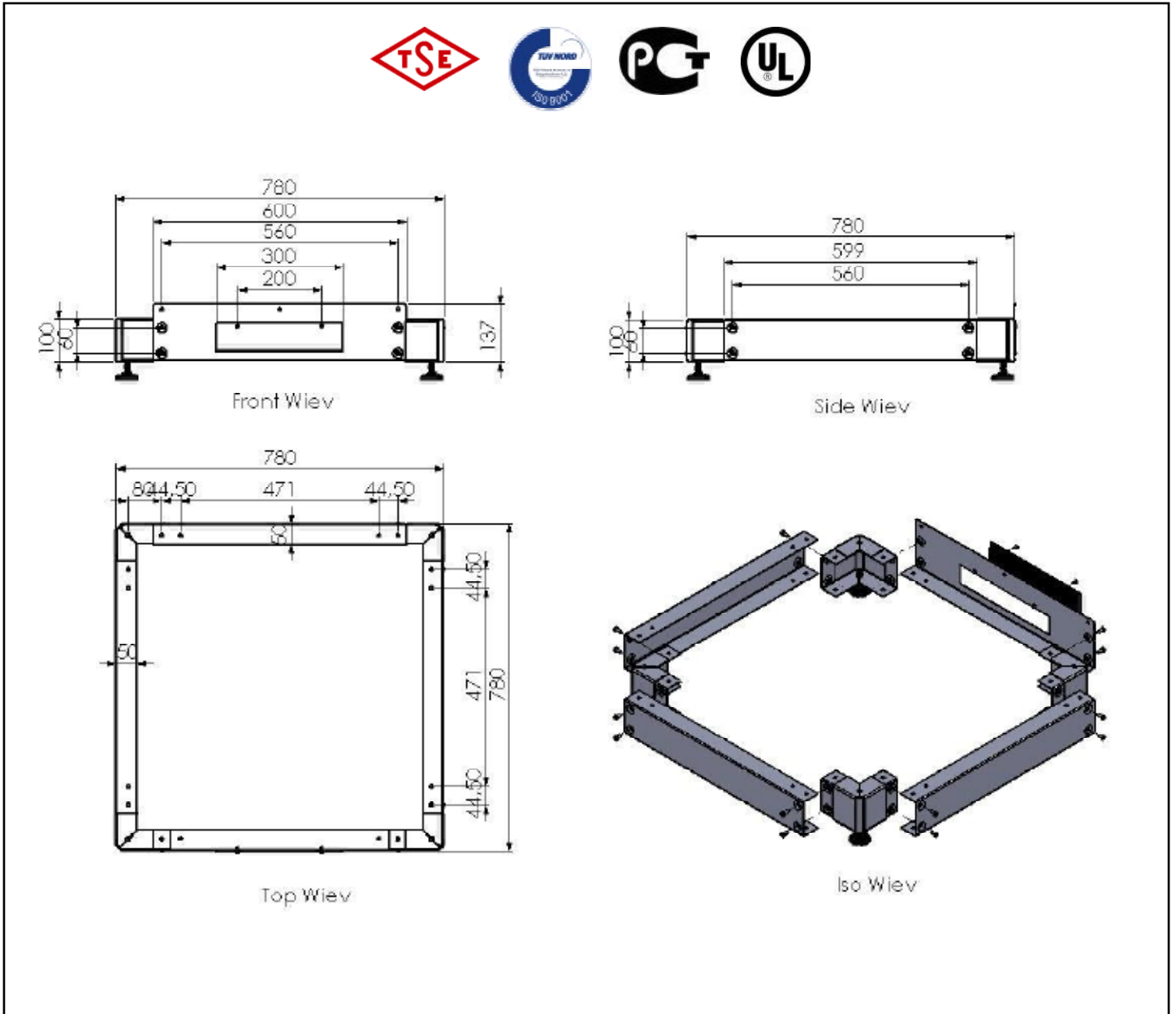


Plinth w=600 mm d=800 mm Universalline		
Order No	Product Definition	Dimensions (wxdxh) mm
M11PNT68	Plinth width=600 mm depth=800 mm Universalline	600x780x100

Shipping Data				
Order No	Quantity	Shipping Dimension (palette) WxHxD	Net Weight (kg)	Gross Weight (kg)
M11PNT68	1	856x617x150	8,100	10,300

Plinth W=800 mm D=800 mm Universalline

TECHNICAL DRAWINGS

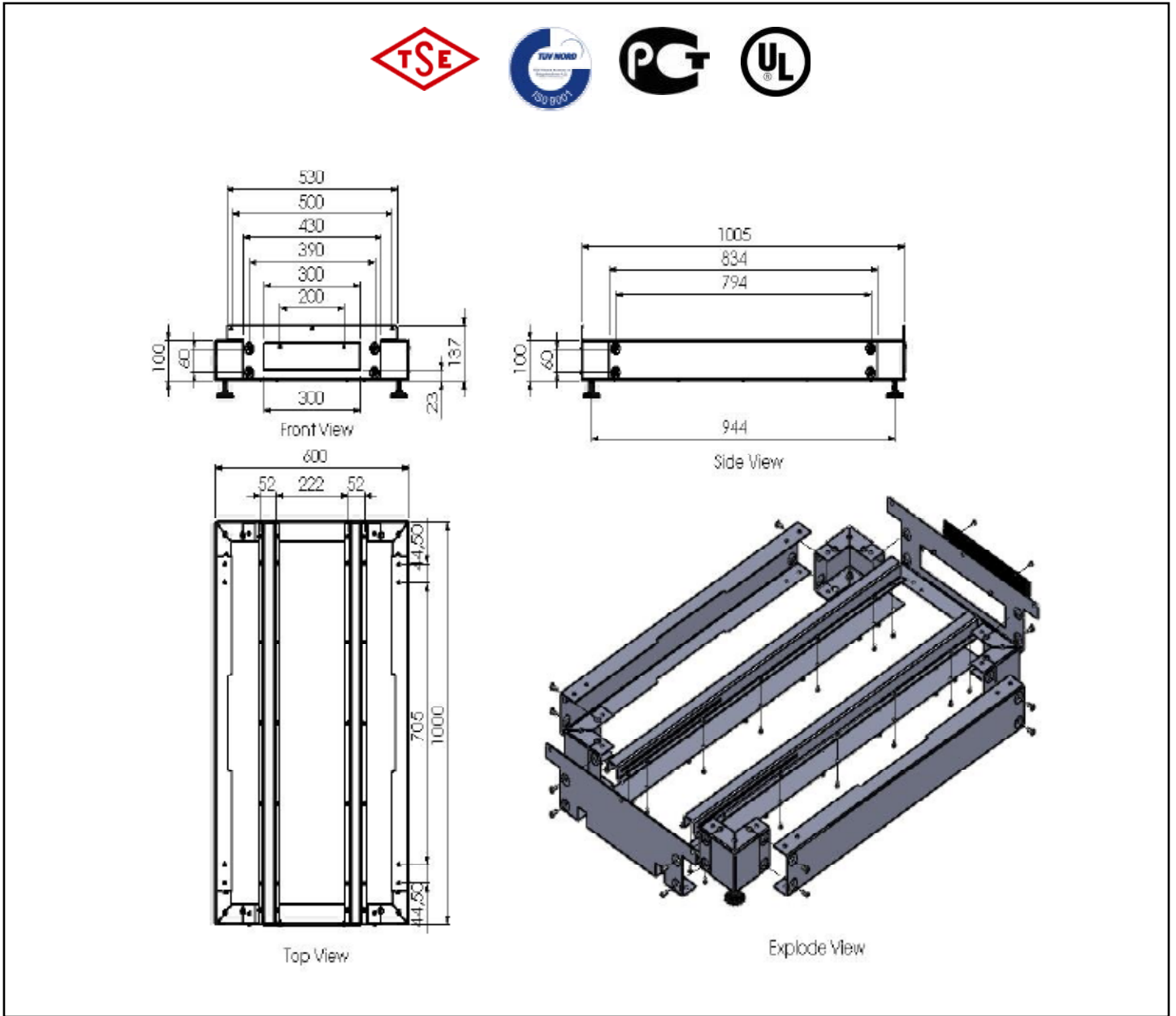


Plinth w=800 mm d=800 mm Universalline		
Order No	Product Definition	Dimensions (wxdh) mm
M11PNT88	Plinth width=600 mm depth=600 mm Universalline	780x780x100

Shipping Data				
Order No	Quantity	Shipping Dimension (palette) WxHxD	Net Weight (kg)	Gross Weight (kg)
M11PNT88	1	856x797x150	9,100	11,160

Plinth W=600 mm D=1000 mm Servermax

TECHNICAL DRAWINGS

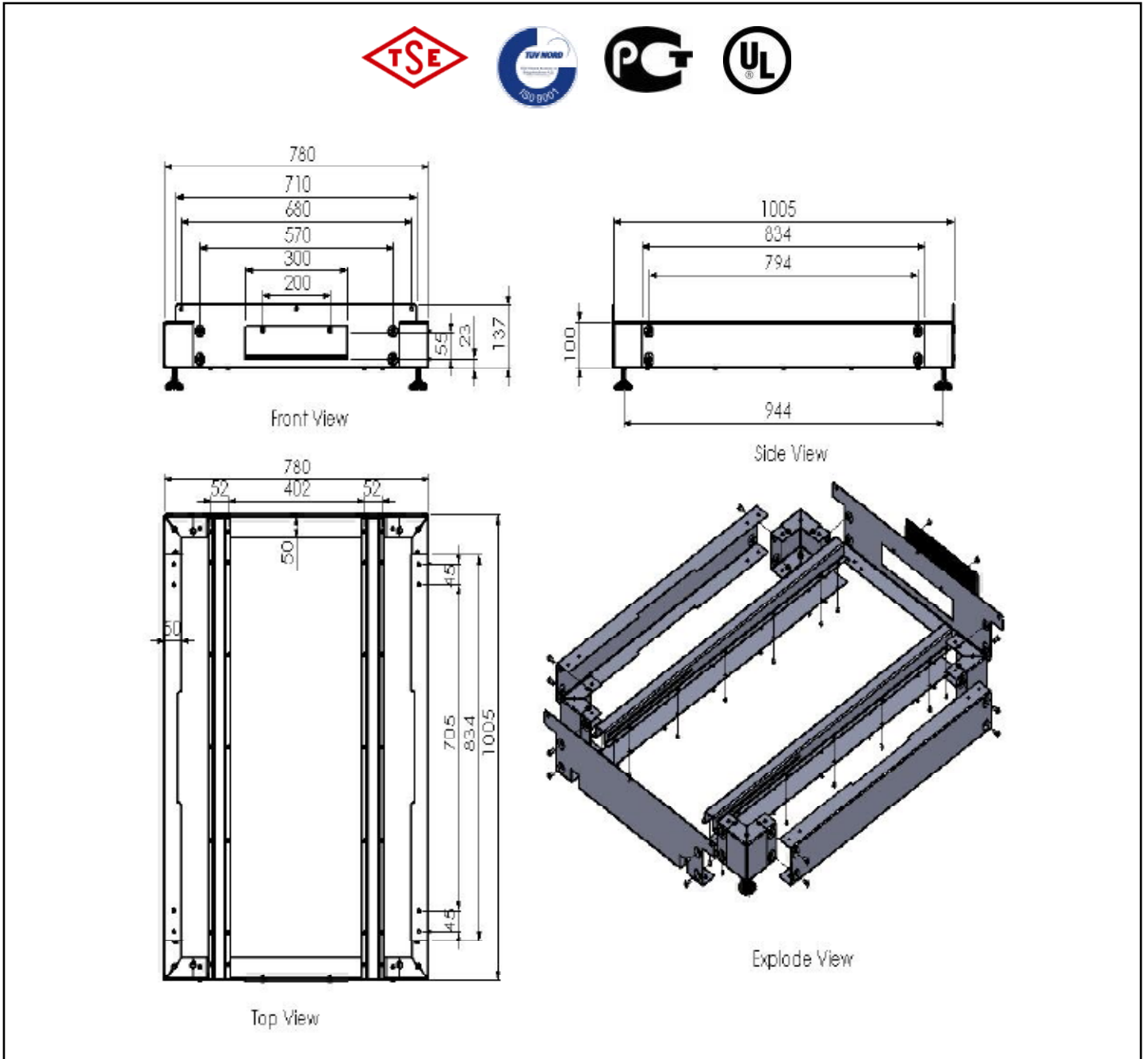


Plinth w=600 mm d=1000 mm Servermax		
Order No	Product Definition	Dimensions (wxdxh) mm
M11PNT610SRV	Plinth width=600 mm depth=1000 mm Servermax	600x600x100

Shipping Data				
Order No	Quantity	Shipping Dimension (palette) WxHxD	Net Weight (kg)	Gross Weight (kg)
M11PNT610SRV	1	1,038x617x150	16,400	19,200

Plinth W=800 mm D=1000 mm Servermax

TECHNICAL DRAWINGS

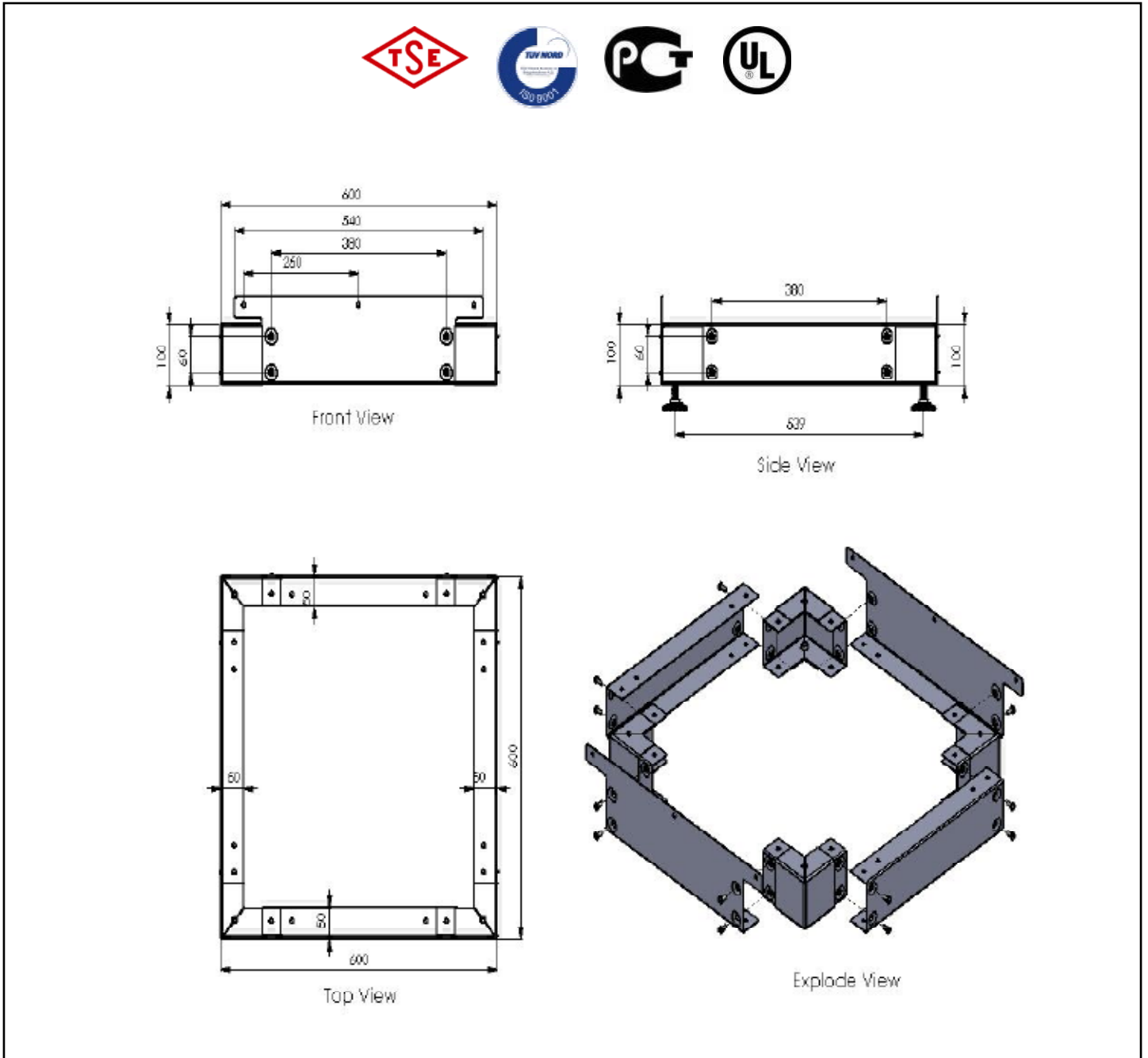


Plinth w=600 mm d=1000 mm Servermax		
Order No	Product Definition	Dimensions (wxdxh) mm
M11PNT610SRV	Plinth width=600 mm depth=1000 mm Servermax	600x600x100

Shipping Data				
Order No	Quantity	Shipping Dimension (palette) WxHxD	Net Weight (kg)	Gross Weight (kg)
M11PNT610SRV	1	1,038x617x150	16,400	19,200

Plinth W=600 mm D=600 mm Ecoline

TECHNICAL DRAWINGS

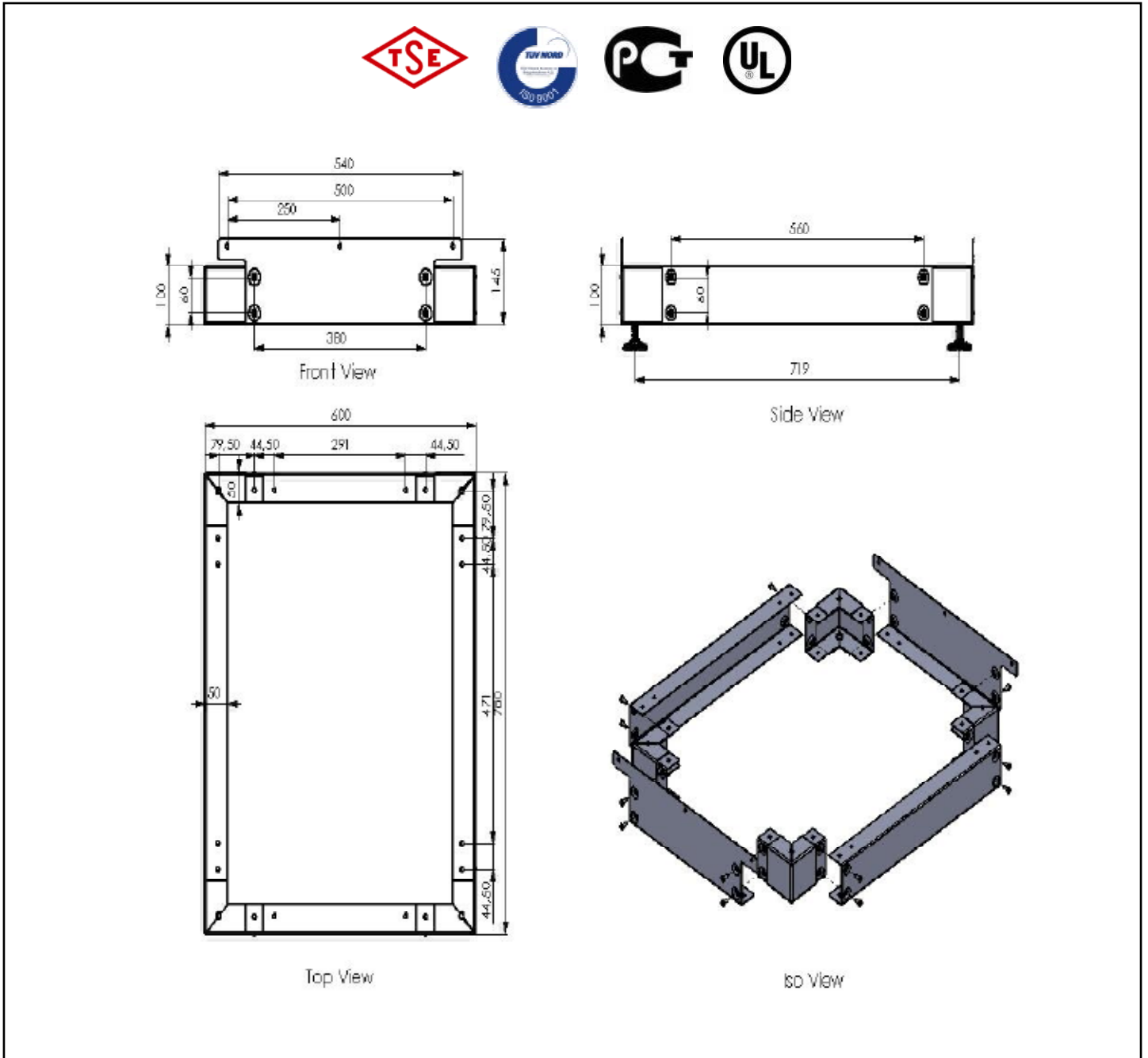


Plinth w=600 mm d=600 mm Ecoline		
Order No	Product Definition	Dimensions (wxdxh) mm
M11PNT66ECO	Plinth width=600 mm depth=600 mm Ecoline	600x600x100

Shipping Data				
Order No	Quantity	Shipping Dimension (palette) WxHxD	Net Weight (kg)	Gross Weight (kg)
M11PNT66ECO	1	686x617x150	7,500	9,500

Plinth W=600 mm D=800 mm Ecoline

TECHNICAL DRAWINGS



Plinth w=600 mm d=800 mm Ecoline		
Order No	Product Definition	Dimensions (wxdxh) mm
M11PNT68ECO	Plinth width=600 mm depth=800 mm Ecoline	600x780x100

Shipping Data				
Order No	Quantity	Shipping Dimension (palette) WxHxD	Net Weight (kg)	Gross Weight (kg)
M11PNT68ECO	1	856x617x150	8,100	10,300