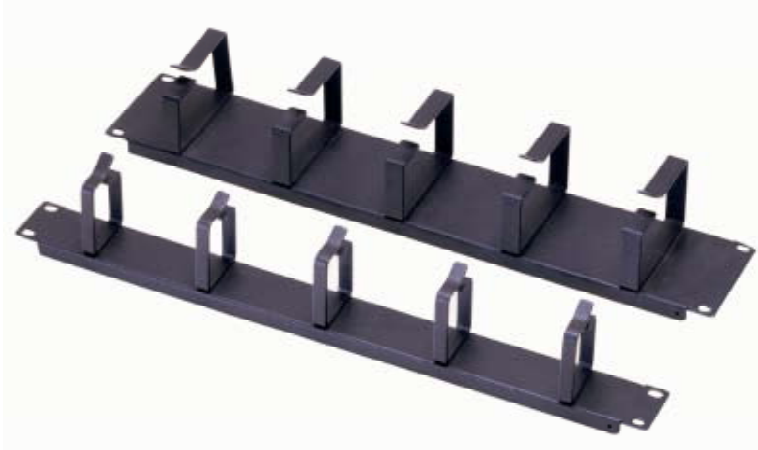


Cable Management Panels - Horizontal



FEATURES

For a correctly managed installations, Estap offers a full range of cable management accesories to to complement cabinet range and patch panel . The range is suitable for all 19" applications.

COMPLIANCES

UL and cUL

Surface Treatment: Fosfat coating

Painting: Ral7035 / Ral9005

STANDARDS

ISO 9001:2000

TSE:EN 61587-1 Mechanical Structures For Electronic Equipment - Tests For IEC 60917 And IEC 60297

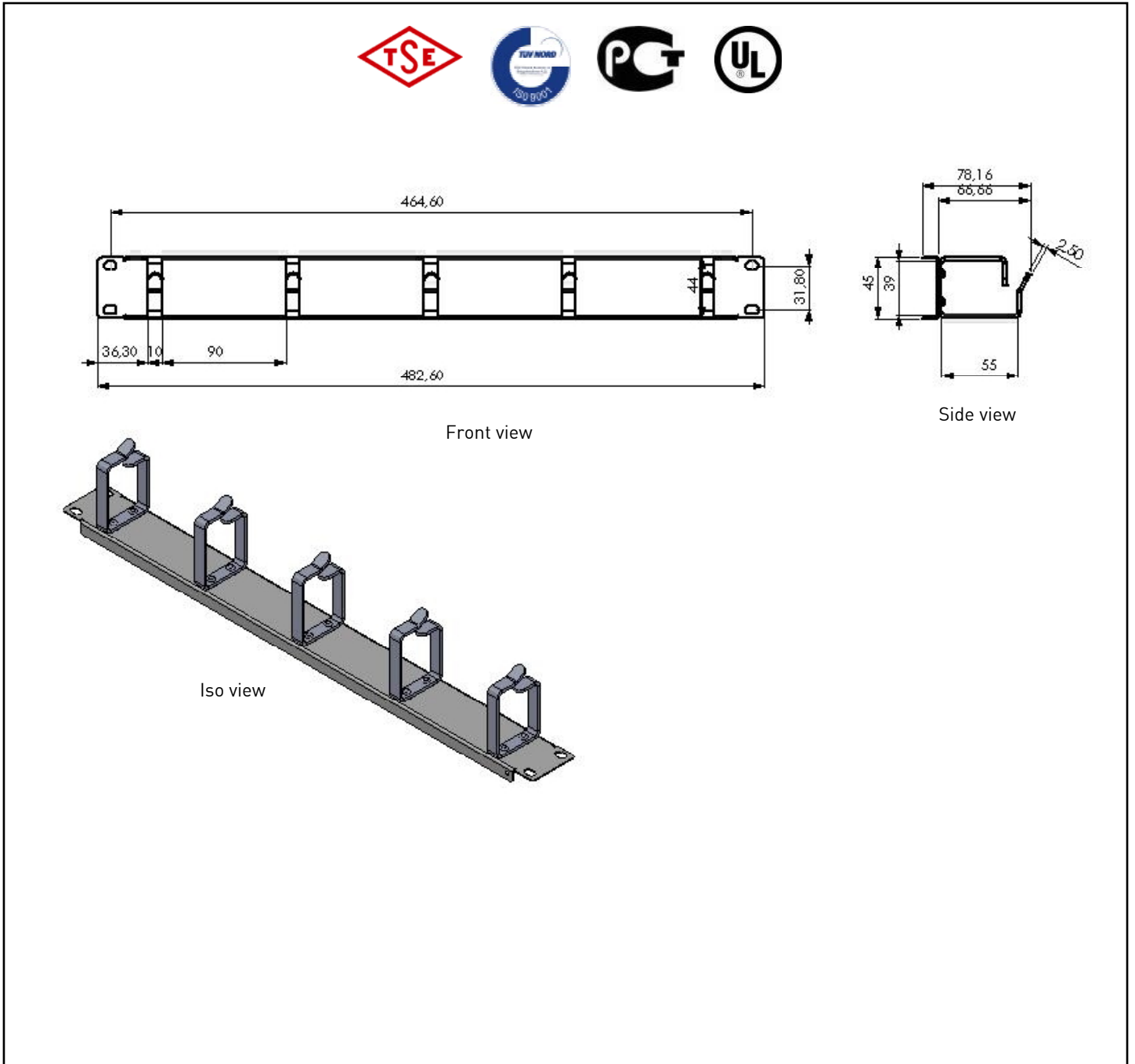
Climatic and Environment: EN 61587-1/4.2, IEC60068-2-1, IEC60068-2-2 , IEC60068-2-30, Flammability:EN61587-1/6.3

Material Definition and Properties, Thicknesses and Shipment Configuration

Part Definition	Material thickness	Material definition & properties	Shipment Configuration
Main Body	1,0 mm	DIN EN 10130 - 99 EREGLI DC-01 6112 CRS	1ea.
Rings	2,5 mm	DIN EN 10130 - 99 EREGLI DC-01 6112 CRS	5ea.

1U 19" Cable Management Panels

TECHNICAL DRAWINGS

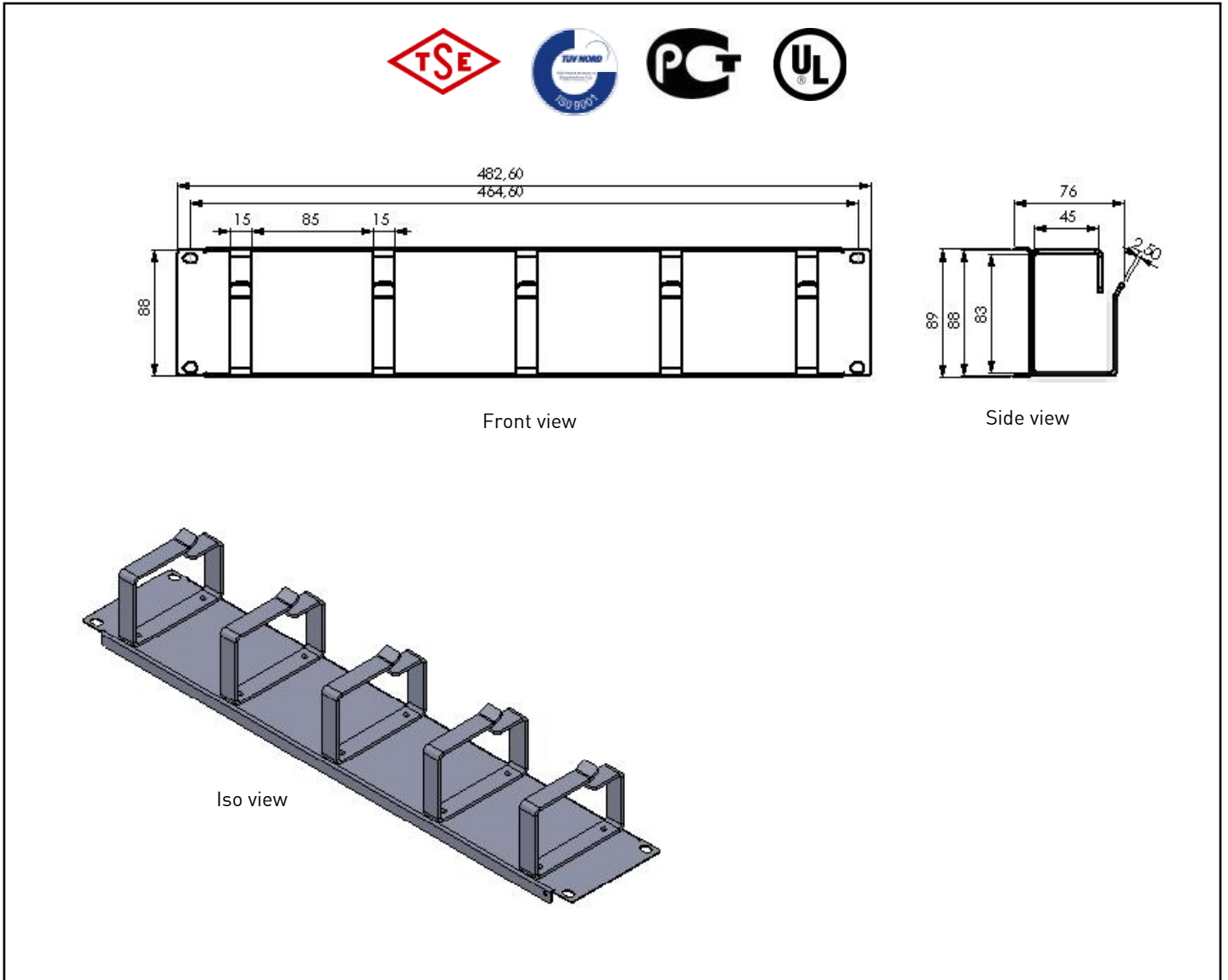


Cable Management		
Order No	Product Definition	Dimensions (wxdxh) mm
E44ORG1U	1U 19" cable management panels with 5 rings	483x80x44

Shipping Data				
Order No	Quantity	Shipping Dimension (palette) WxHxD	Net Weight (kg)	Gross Weight (kg)
E44ORG1U				

2U 19" Cable Management Panels

TECHNICAL DRAWINGS

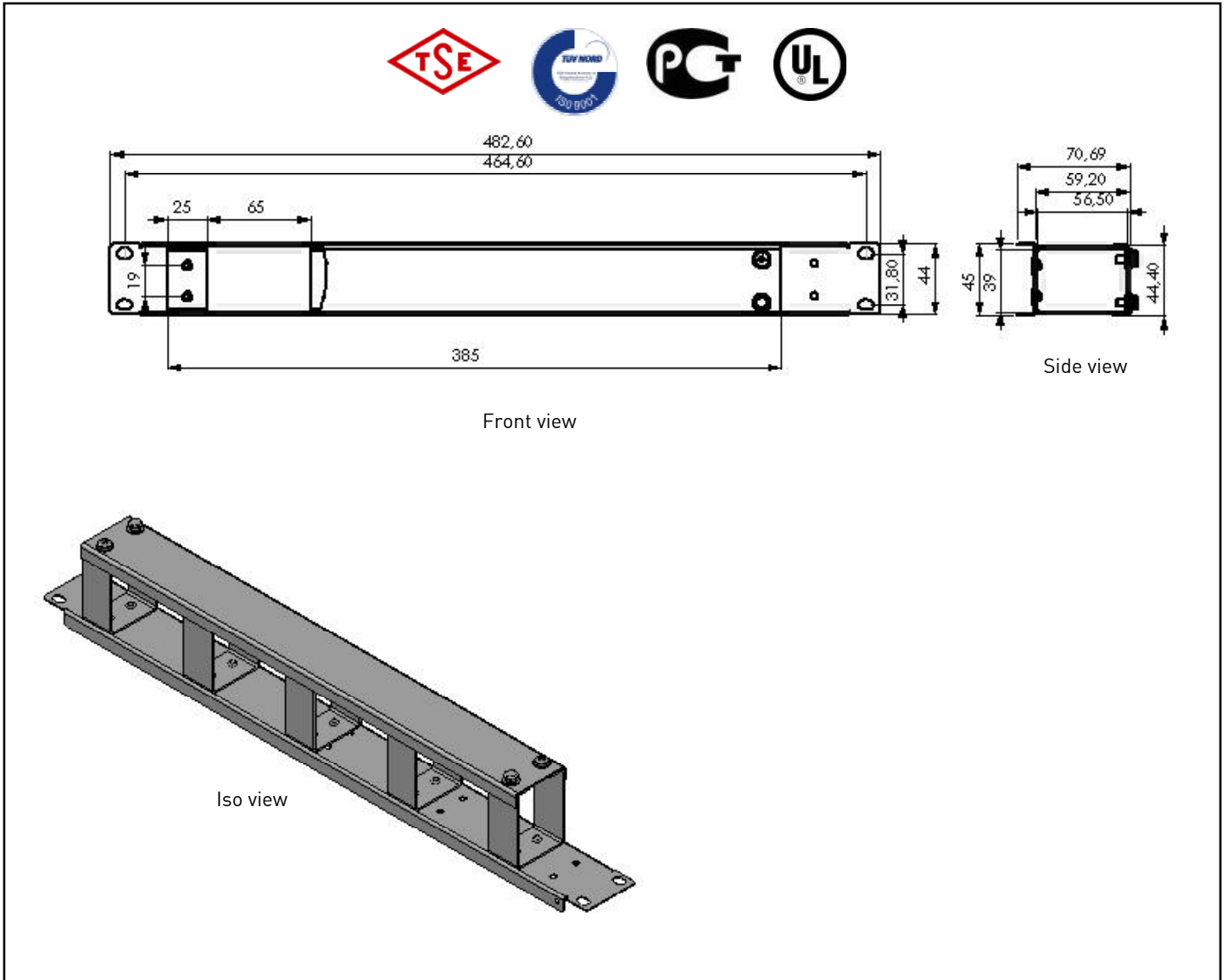


Cable Management		
Order No	Product Definition	Dimensions (wxhxd) mm
E44ORG2U	2U 19" cable management panels with 5 rings	483x80x88

Shipping Data				
Order No	Quantity	Shipping Dimension (palette) WxHxD	Net Weight (kg)	Gross Weight (kg)
E44ORG2U				

1U 19" Cable Management Panels, Channel Type

TECHNICAL DRAWINGS

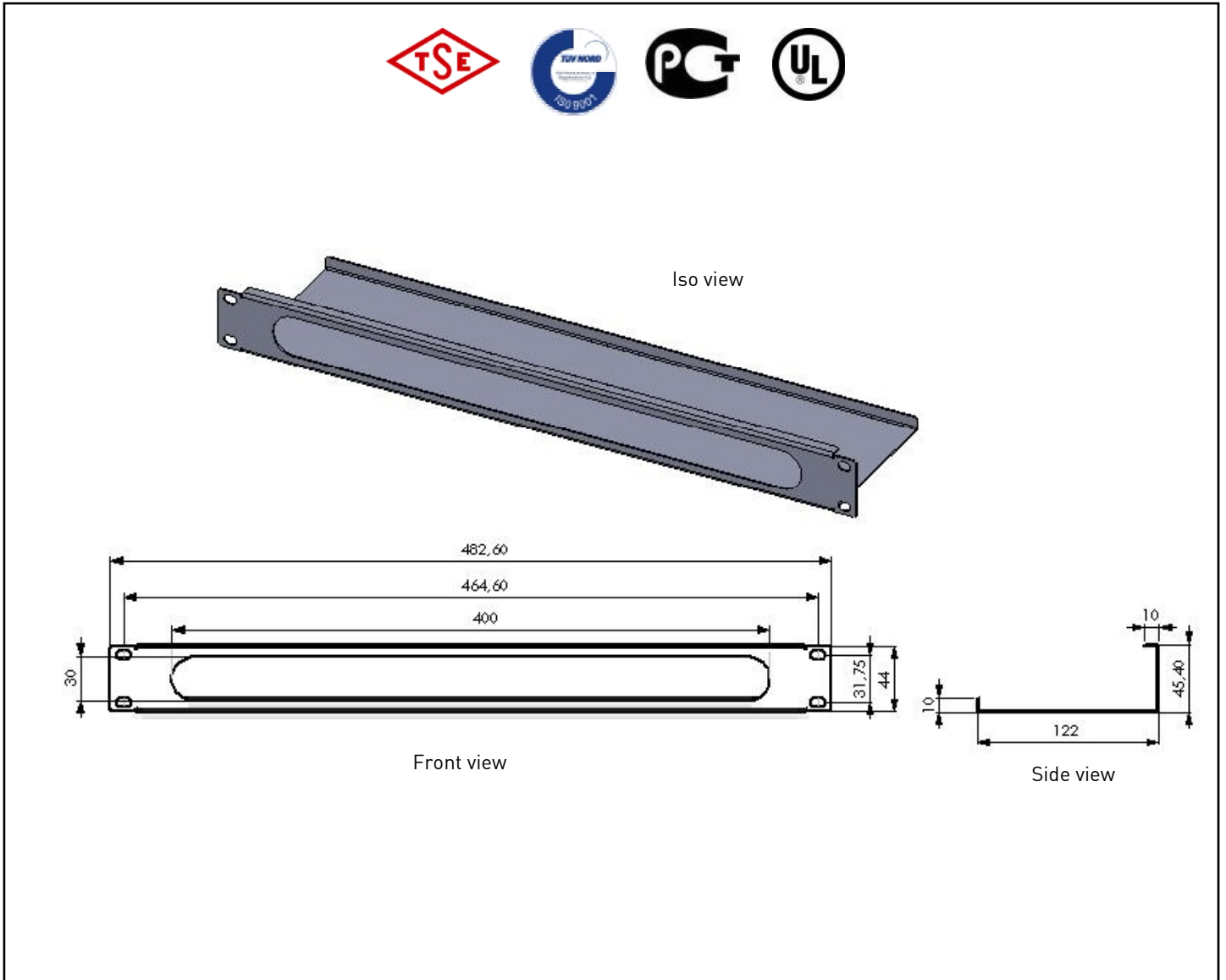


Cable Management, channel type and with removable cover		
Order No	Product Definition	Dimensions (wxdxh) mm
E44ORG1UN	1U 19" cable management panel, channel type and with removable cover	483x80x44

Shipping Data				
Order No	Quantity	Shipping Dimension (palette) WxHxD	Net Weight (kg)	Gross Weight (kg)
E44ORG1UN				

1U 19" Cable Management Panels With Front Patch Cord Access Holes

TECHNICAL DRAWINGS

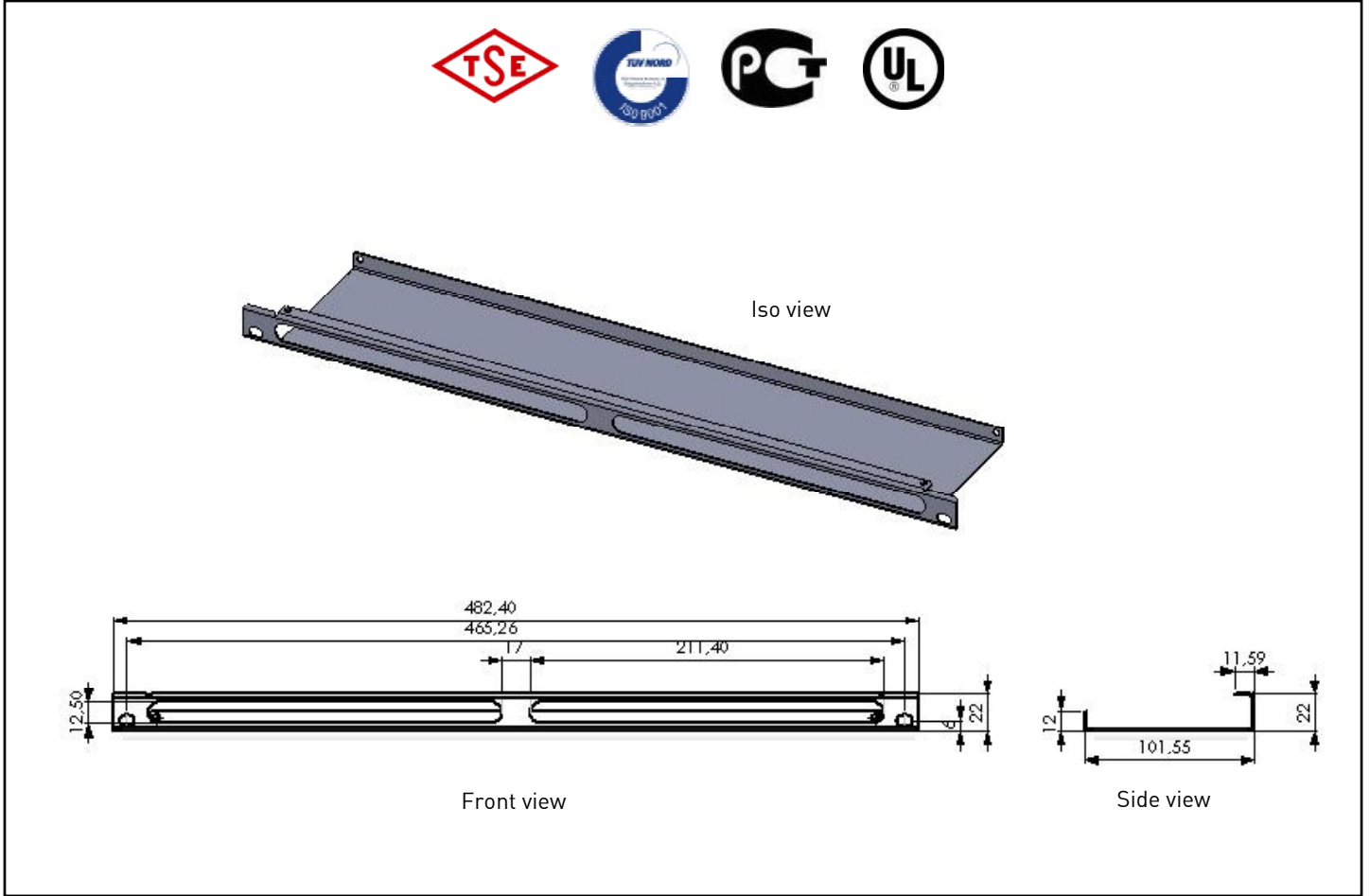


Cable Management panels with front patch cord access holes		
Order No	Product Definition	Dimensions (wxdxh) mm
E44ORG2F	1U 19" cable management panels with front patch cord access holes	483x124x44

Shipping Data				
Order No	Quantity	Shipping Dimension (palette) WxHxD	Net Weight (kg)	Gross Weight (kg)
E44ORG2F				

1/2U 19" Cable Management Panels With Front Patch Cord Access Holes

TECHNICAL DRAWINGS

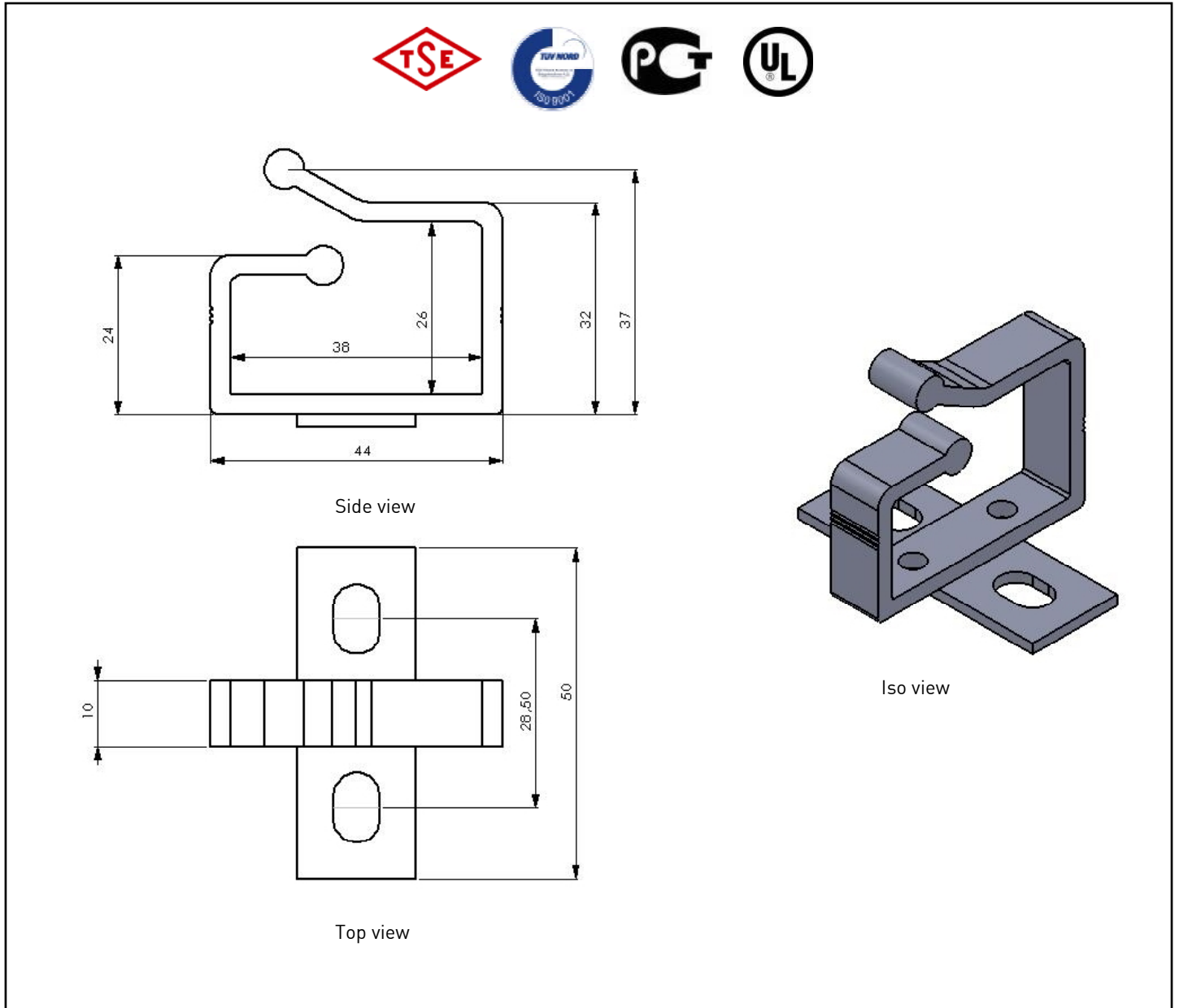


1/2U Cable Management panels with front patch cord access holes		
Order No	Product Definition	Dimensions (wxdxh) mm
E44ORG1F	1/2U 19" cable management panels with front patch cord access holes	483x100x22

Shipping Data				
Order No	Quantity	Shipping Dimension (palette) WxDxH	Net Weight (kg)	Gross Weight (kg)
E44ORG1F				

Ring For Cable Management 44X30 mm 1set=5ea.

TECHNICAL DRAWINGS

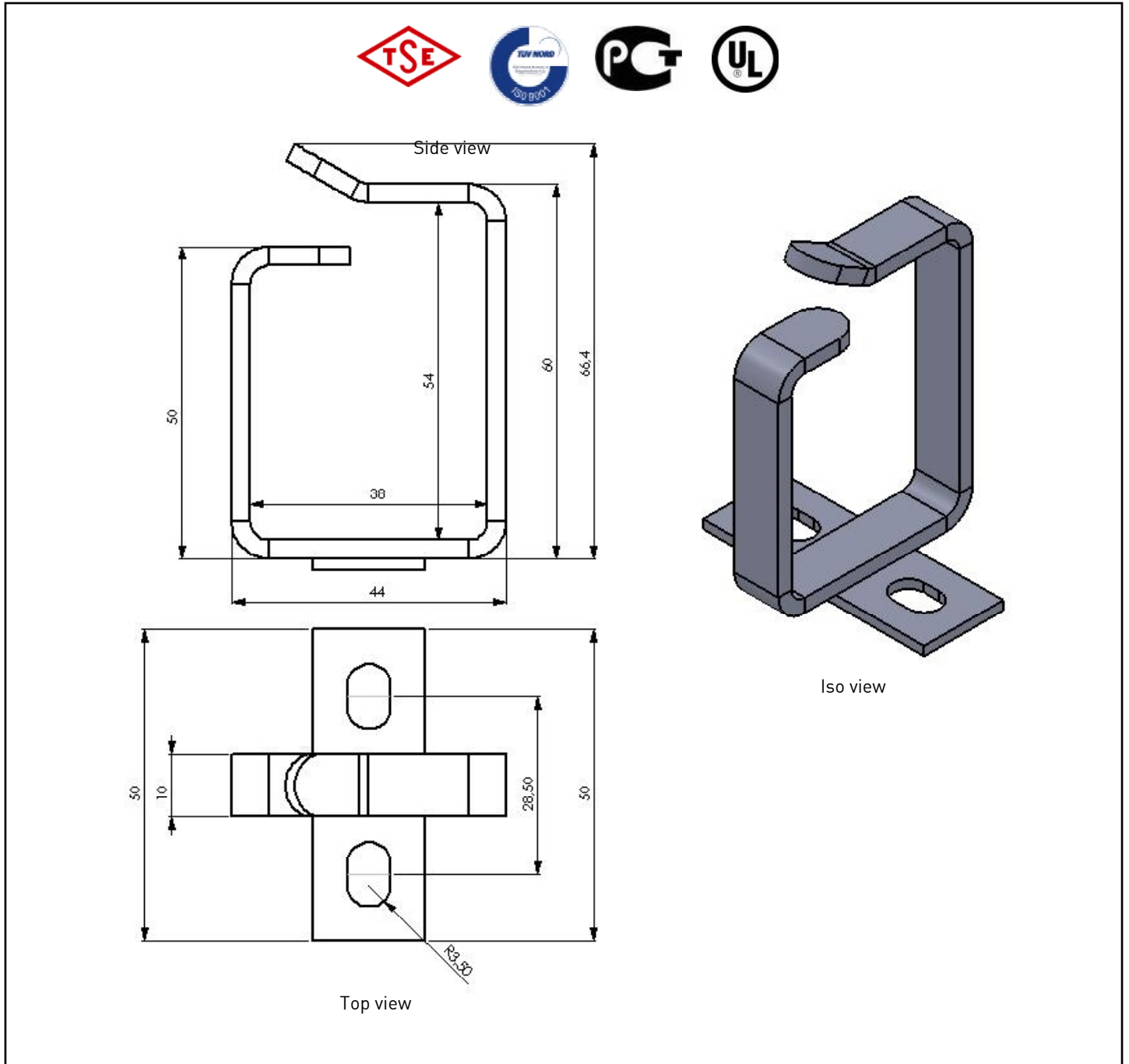


Ring for Cable Management 44x30 mm		
Order No	Product Definition	Dimensions (wxdxh) mm
K44RING01	Ring for cable management 44x30 mm 1set=5ea.	44x30

Shipping Data				
Order No	Quantity	Shipping Dimension (palette) WxHxD	Net Weight (kg)	Gross Weight (kg)
K44RING01	26	560x425x122	7,80	8,45

Ring For Cable Management 44X60 mm 1set=5ea.

TECHNICAL DRAWINGS

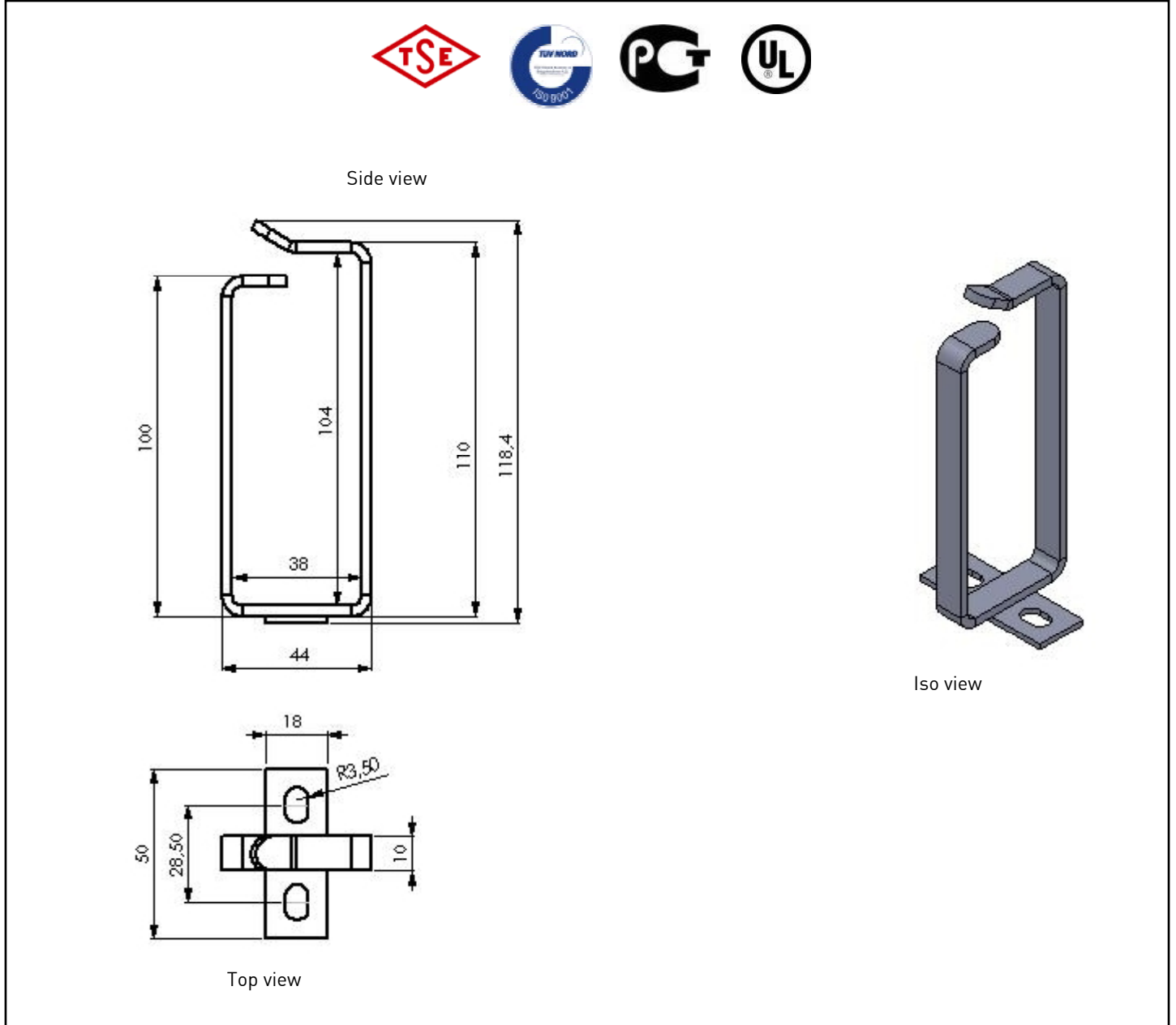


Ring for Cable Management 44x60 mm		
Order No	Product Definition	Dimensions (wxdxh) mm
K44RING02	Ring for cable management 44x60 mm 1set=5ea.	44x60

Shipping Data				
Order No	Quantity	Shipping Dimension (palette) WxHxD	Net Weight (kg)	Gross Weight (kg)
K44RING02	26	560x425x122	9,152	9,800

Ring For Cable Management 44X100 mm 1set=5ea.

TECHNICAL DRAWINGS

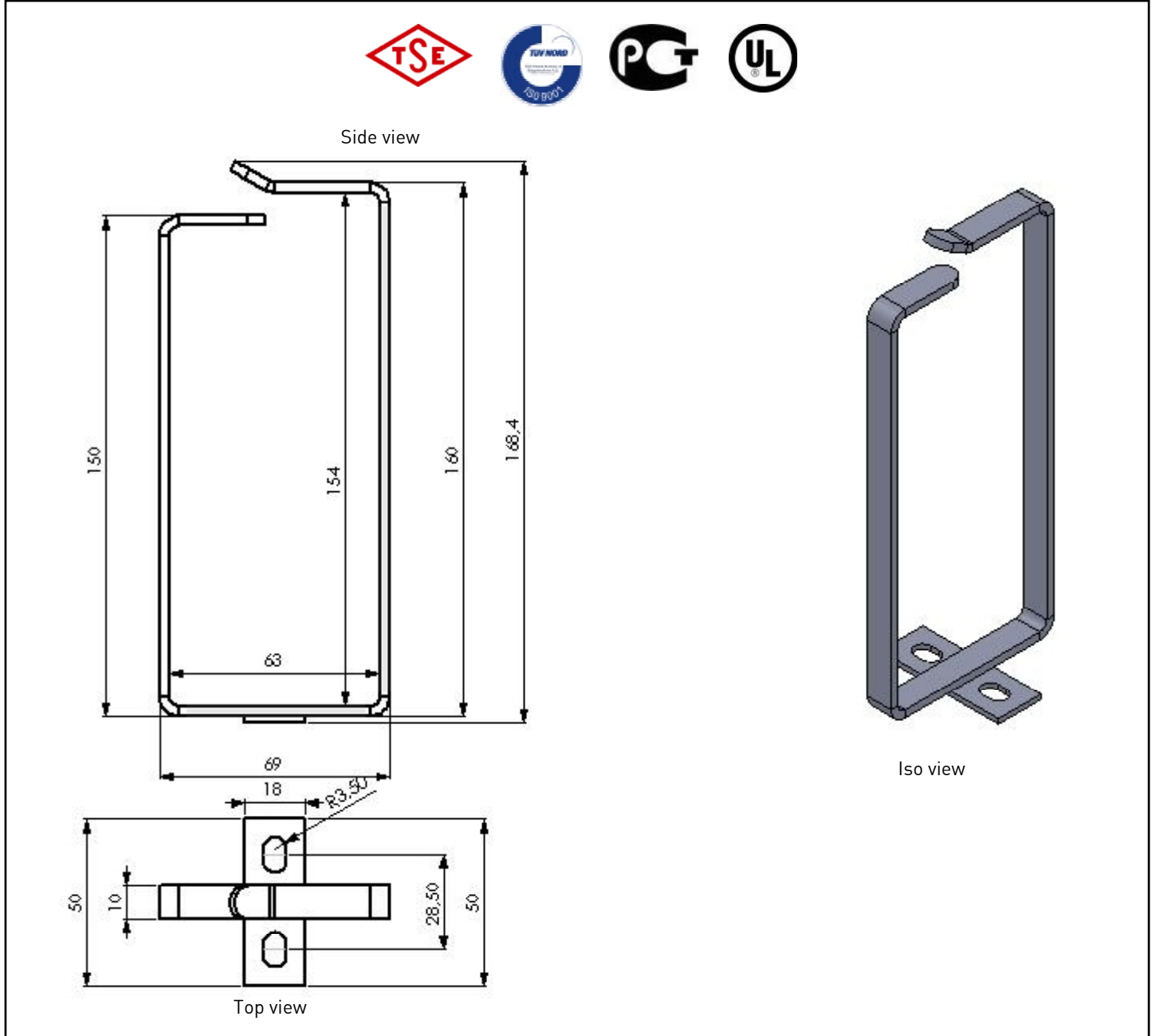


Ring for Cable Management 44x100 mm		
Order No	Product Definition	Dimensions (wxdxh) mm
K44RING03	Ring for cable management 44x100 mm 1set=5ea.	44x100

Shipping Data				
Order No	Quantity	Shipping Dimension (palette) WxHxD	Net Weight (kg)	Gross Weight (kg)
K44RING03	26	560x425x122	12,480	13,150

Ring For Cable Management 70X150 mm 1set=5ea.

TECHNICAL DRAWINGS

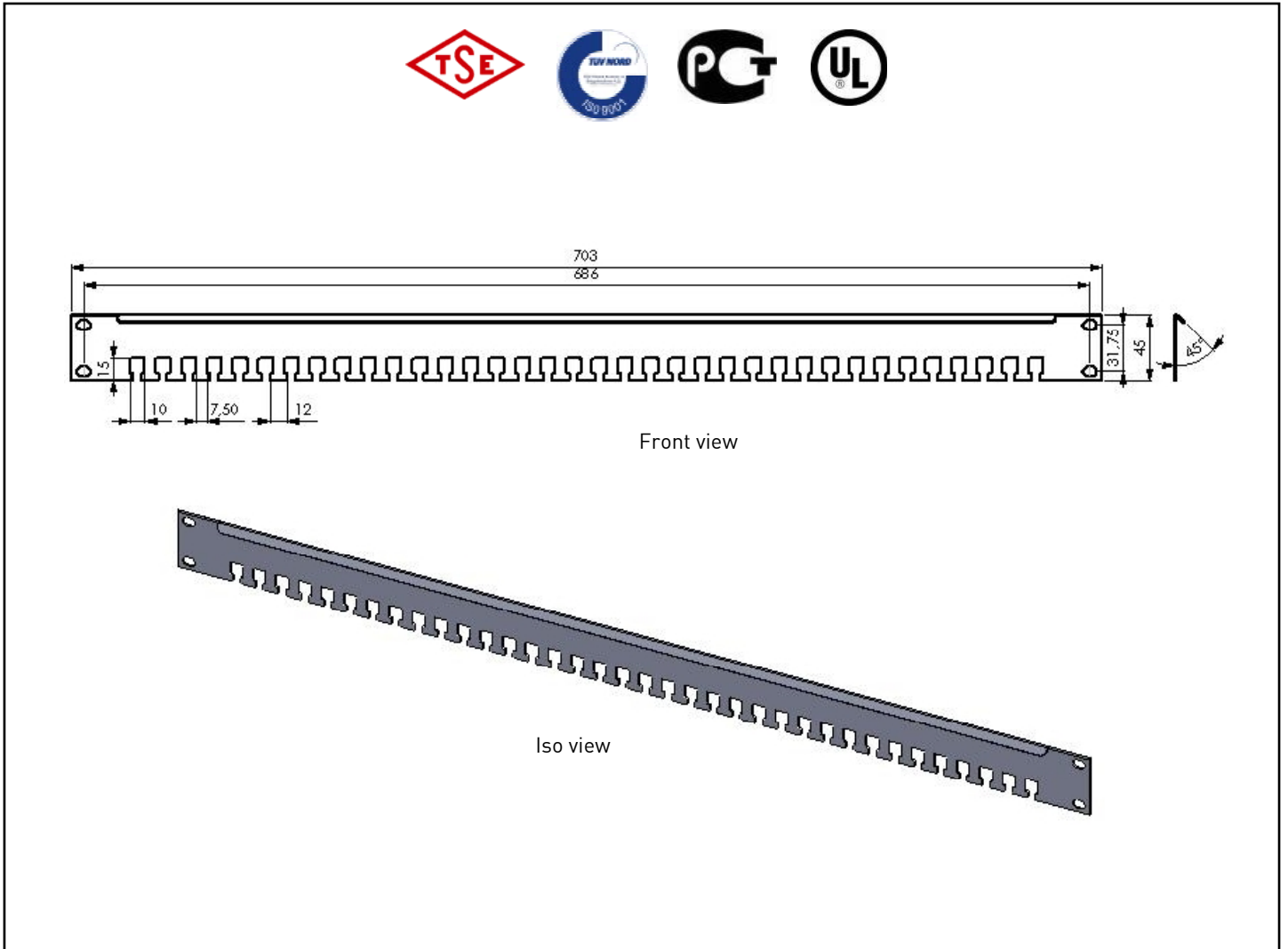


Ring for Cable Management 70x150 mm		
Order No	Product Definition	Dimensions (wxdxh) mm
K44RING04	Ring for cable management 70x150 mm 1set=5ea.	70x150

Shipping Data				
Order No	Quantity	Shipping Dimension (palette) WxHxD	Net Weight (kg)	Gross Weight (kg)
K44RING04	30	560x430x480	19,620	21,000

19" Cable fixing rail

TECHNICAL DRAWINGS

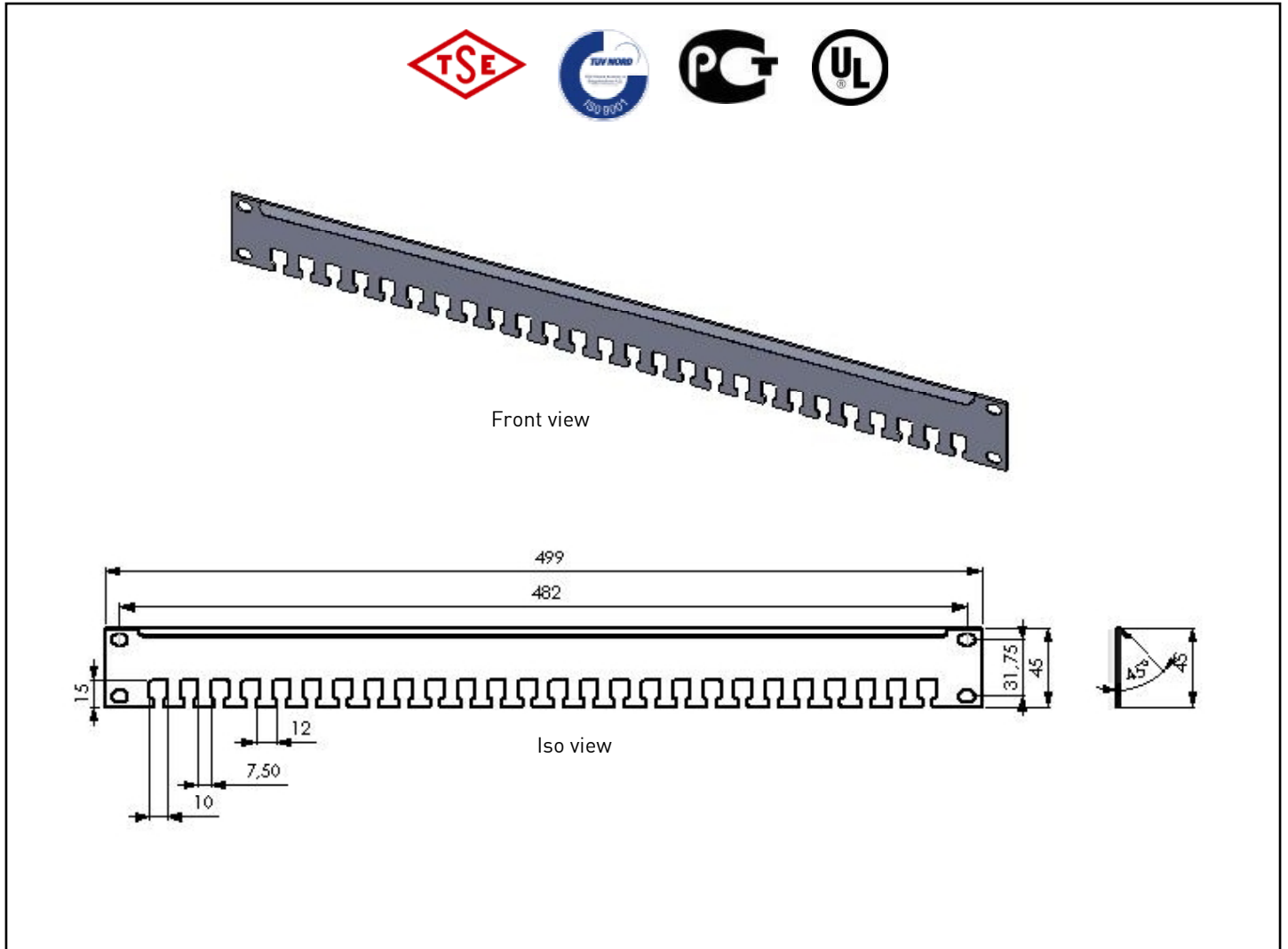


19" Cable fixing rail		
Order No	Product Definition	Dimensions (wxdxh) mm
E44CCR1	19" cable fixing rail	483x10x22

Shipping Data				
Order No	Quantity	Shipping Dimension (palette) WxHxD	Net Weight (kg)	Gross Weight (kg)
E44CCR1				

Cable fixing rail, possible to use in depth of the cabinet D=600 mm

TECHNICAL DRAWINGS

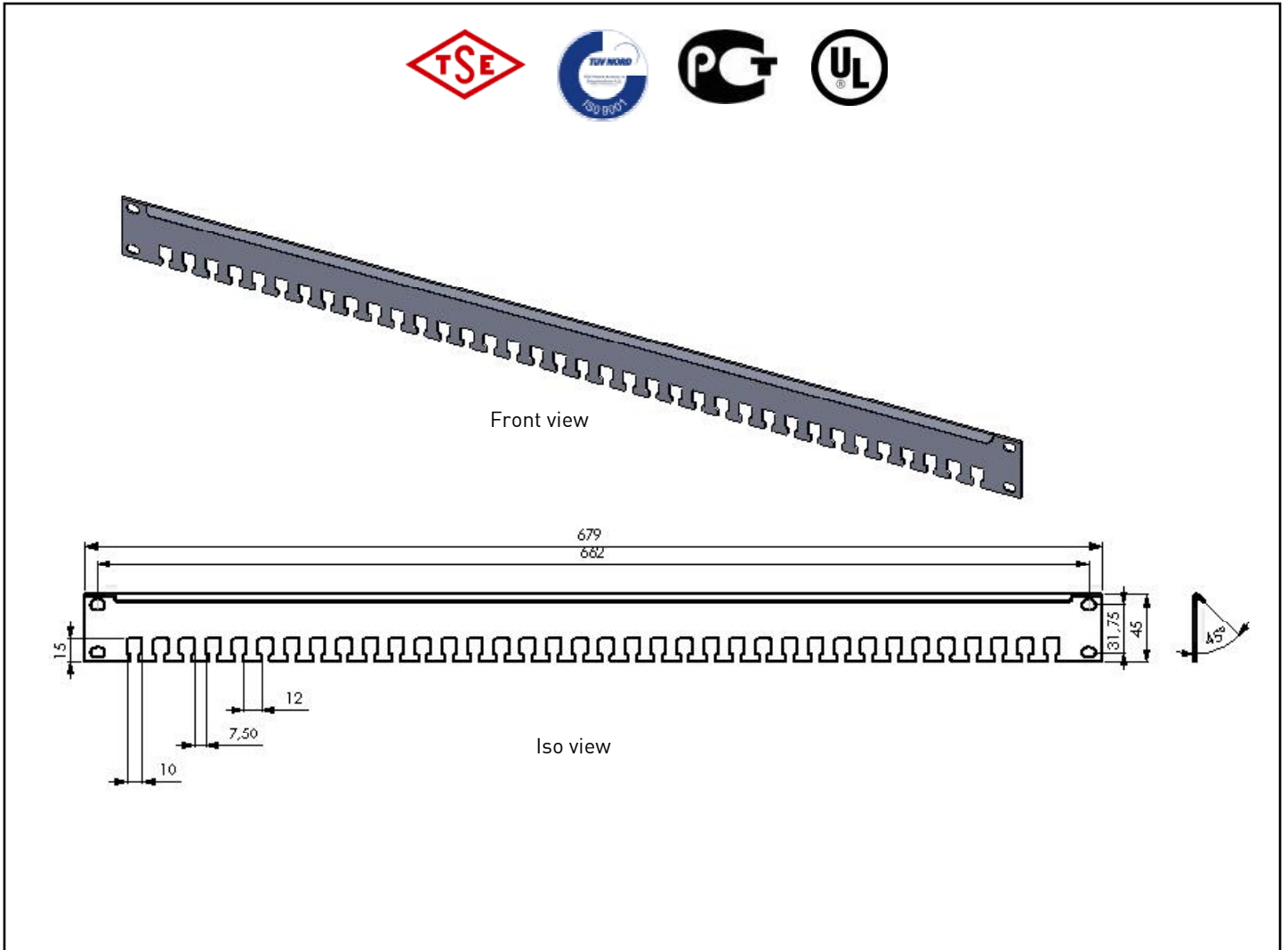


19" Cable fixing rail d=600 mm		
Order No	Product Definition	Dimensions (wxdxh) mm
E44CCR2	19" cable fixing rail , possible to use in depth of the cabinet d=600 mm	500x10x44

Shipping Data				
Order No	Quantity	Shipping Dimension (palette) WxHxD	Net Weight (kg)	Gross Weight (kg)
E44CCR2				

Cable fixing rail, possible to use in depth of the cabinet D=800 mm

TECHNICAL DRAWINGS

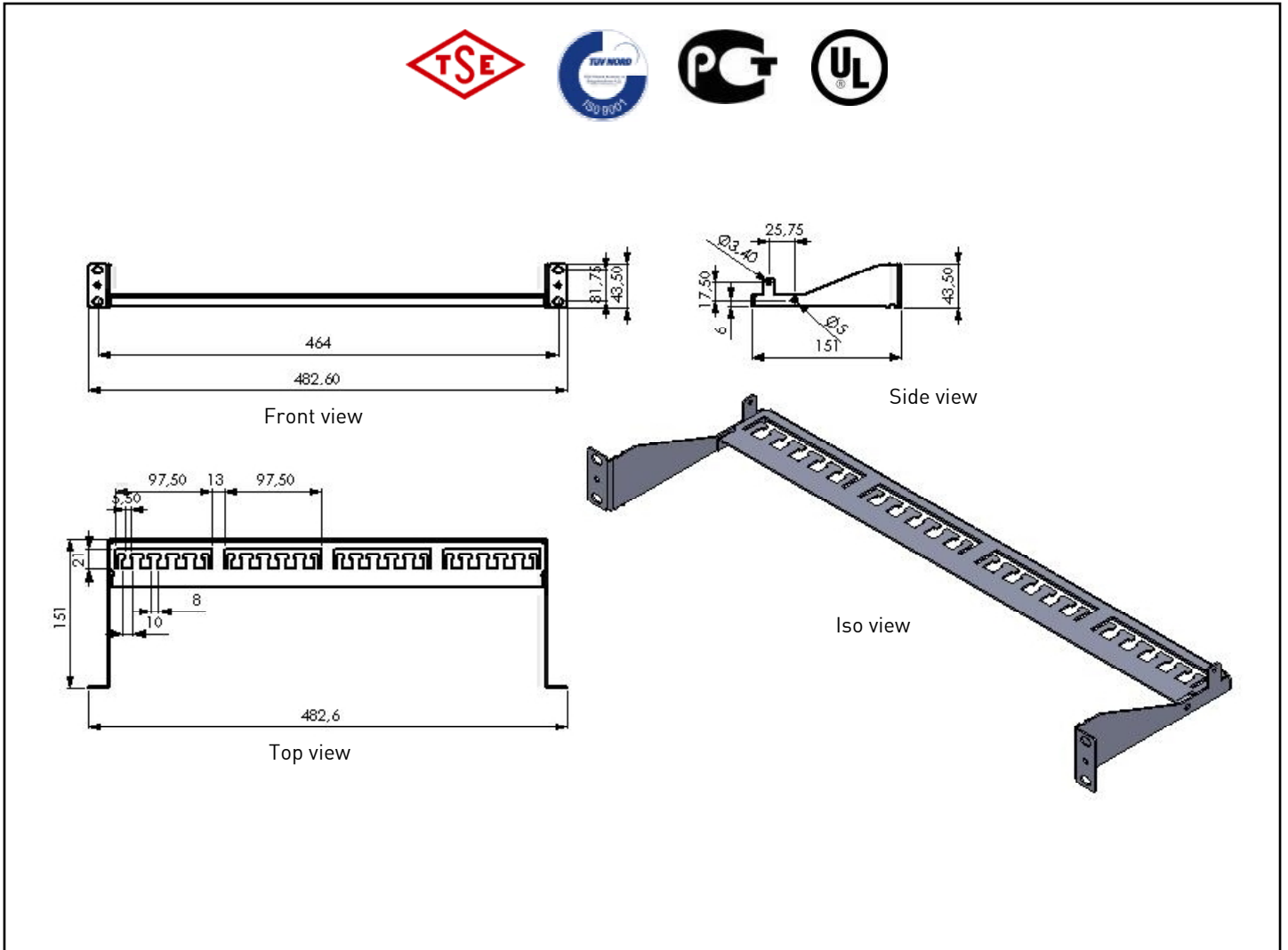


19" Cable fixing rail d=800 mm		
Order No	Product Definition	Dimensions (wxhxh) mm
E44CCR3	19" cable fixing rail , possible to use in depth of the cabinet d=800 mm	679x44x140

Shipping Data				
Order No	Quantity	Shipping Dimension (palette) WxHxD	Net Weight (kg)	Gross Weight (kg)
E44CCR3				

Cable fixing rail, possible to use in depth of the cabinet D=800 mm

TECHNICAL DRAWINGS



19" clamp rail		
Order No	Product Definition	Dimensions (wxdxh) mm
E44CCR4	19" clamp rail , rear cable management for patch panel	483x44x140

Shipping Data				
Order No	Quantity	Shipping Dimension (palette) WxHxD	Net Weight (kg)	Gross Weight (kg)
E44CCR4				