

## Monitor Holder 19" - Lokcable



### FEATURES

9U monitor holder up to 17" monitors  
19" rack mount

### COMPLIANCES

UL and cUL

**Load Carrying Capacity:** 25 kg

**Surface Treatment:** Fosfat coating

**Painting:** Ral7035 / Ral9005

### FEATURES

ISO 9001:2000

TSE:EN 61587-1 Mechanical Structures For Electronic Equipment - Tests For IEC 60917 And IEC 60297

**Climatic and Environment:** EN 61587-1/4.2, IEC60068-2-1, IEC60068-2-2, IEC60068-2-30,

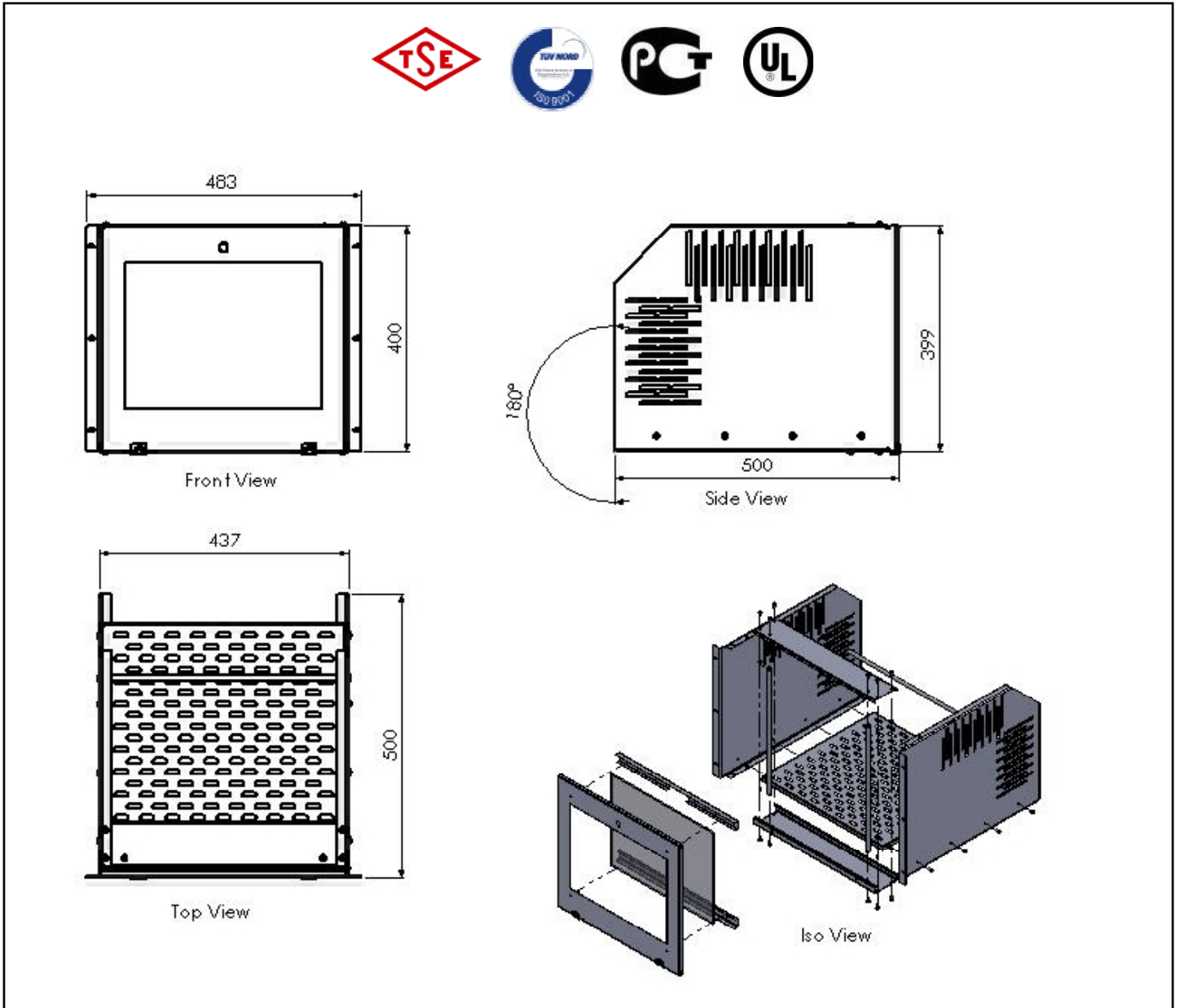
**Flammability:** EN61587-1/6.3

Material Definition and Properties, Thicknesses and Shipment Configuration

Part Definition	Material thickness	Material definition & properties	Shipment Configuration
Bottom Support	1,50 mm	DIN EN 10130 - 99 EREGLI DC-01 6112 CRS	1ea.
Upper Support	1,50 mm	DIN EN 10130 - 99 EREGLI DC-01 6112 CRS	1ea.
Front Door	1,50 mm	DIN EN 10130 - 99 EREGLI DC-01 6112 CRS	1ea.
Sliding Shelf	1,5 mm	DIN EN 10130 - 99 EREGLI DC-01 6112	1ea.
Side Panels	1,5 mm	DIN EN 10130 - 99 EREGLI DC-01 6112	2ea.

# Monitor Holder 19" - Lockable

## TECHNICAL DRAWINGS



Monitor Holder		
Order No	Product Definition	Dimensions (wxdxh) mm
E44SCR	19" 2U monitor holder lockable	483x400x500

Shipping Data				
Order No	Quantity	Shipping Dimension (palette) WxHxD	Net Weight (kg)	Gross Weight (kg)
E44SCR	1	630x520x430	10,500	12,000