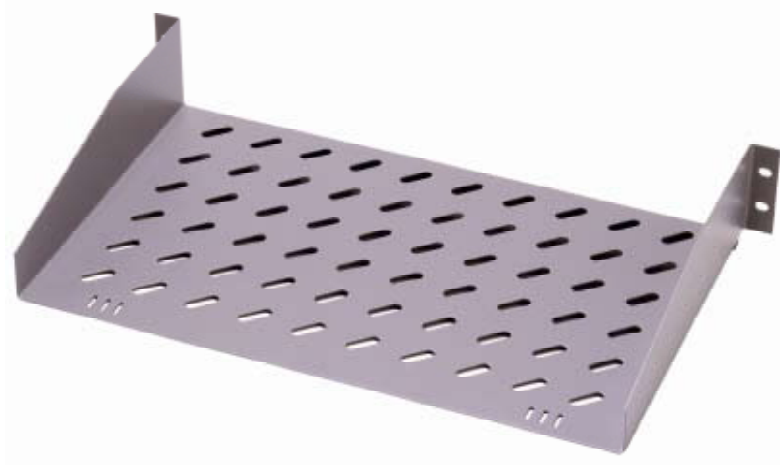


2U 19" Rack Mount Shelves / D=350 / D=550 / D=740 mm



FEATURES

19" rack mount Vented
Easy to fix

COMPLIANCES

UL and cUL

Load Carrying Capacity: 25 kg

Surface Treatment: Fosfat coating

Painting: Ral7035 / Ral9005

STANDARDS

ISO 9001:2000

TSE:EN 61587-1 Mechanical Structures For Electronic Equipment - Tests For IEC 60917 And IEC 60297

Climatic and Environment: EN 61587-1/4.2, IEC60068-2-1, IEC60068-2-2, IEC60068-2-30,

Static Mechanical Load Lifting: EN61587-1/5.2.1

Static Mechanical Load Stiffness: EN61587-1/5.2.2

Dynamic Mechanical Load Vibration and Shock, Impact: EN61587-1/5.3.1, EN61587-1/5.3.3, IEC60068-2-6, IEC60068-2-27,

Earth Bond: EN61587-1/6.2

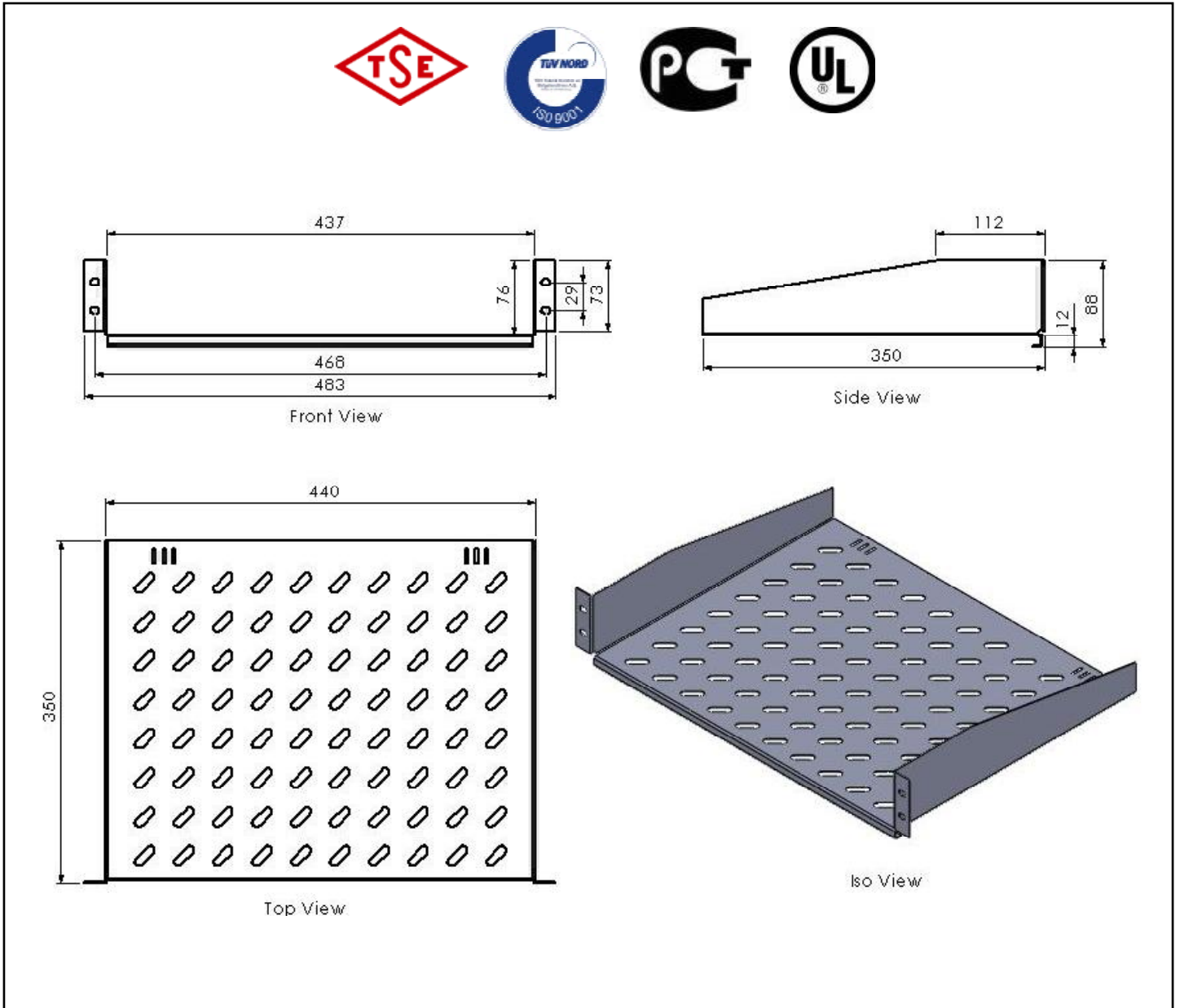
Flammability: EN61587-1/6.3

Material Definition and Properties , Thicknesses and Shipment Configuration

Part Definition	Material thickness	Material definition & properties	Shipment Configuration
2U 19" Rack Mount Shelf	1,5 mm	DIN EN 10130 - 99 EREGLI DC-01 6112 CRS	1ea.

2U 19" Rack Mount Shelves D=350 mm

TECHNICAL DRAWINGS

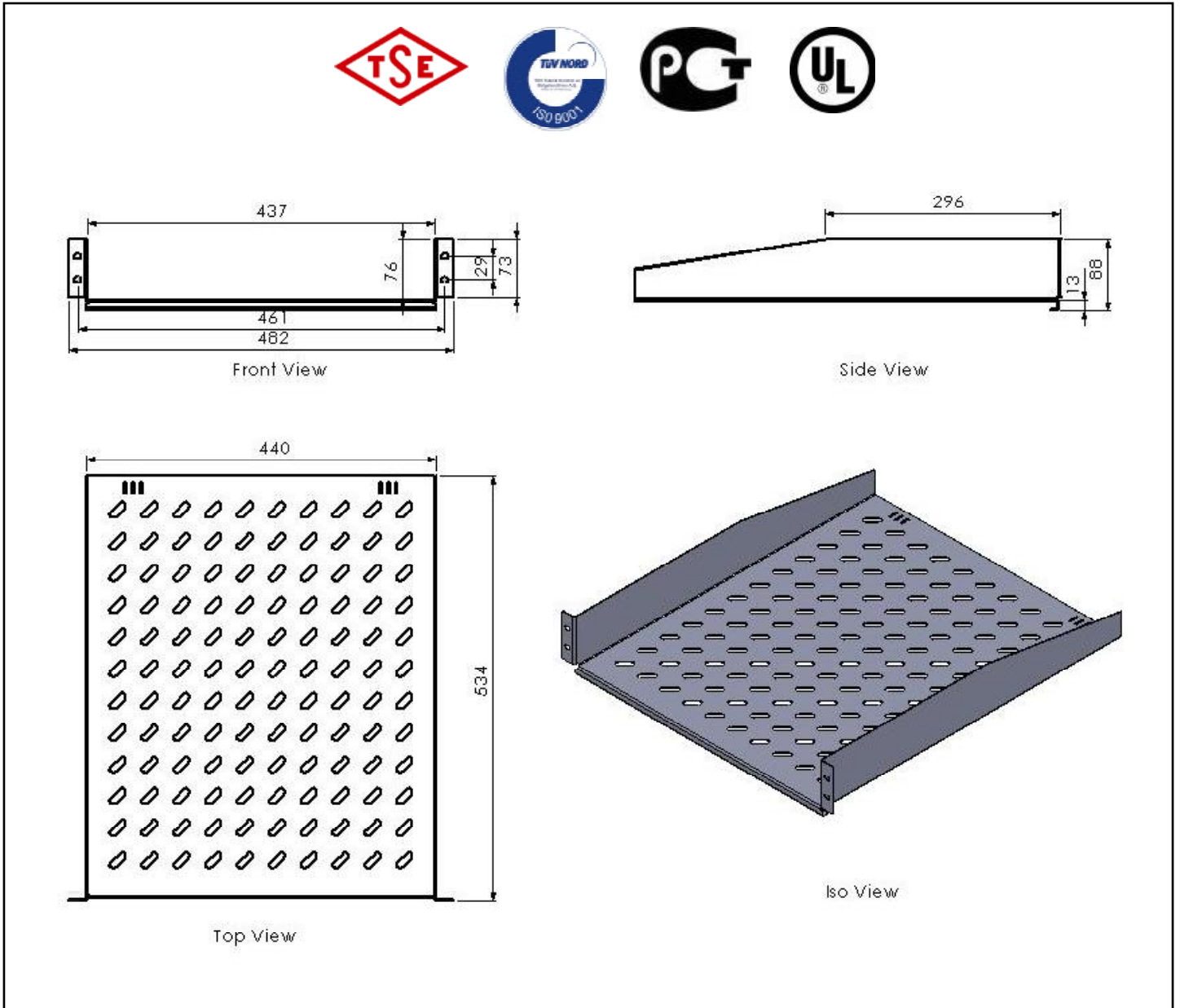


2U19" Rack Mount Shelves		
Order No	Product Definition	Dimensions (wxdxh) mm
E44RAK35	2U 19" Rack Mount Shelf depth=350 mm	483x370x88

Shipping Data				
Order No	Quantity	Shipping Dimension (palette) WxHxD	Net Weight (kg)	Gross Weight (kg)
E44RAK35	4	545x425x400	8,92	11,00

2U 19" Rack Mount Shelves D=550 mm

TECHNICAL DRAWINGS

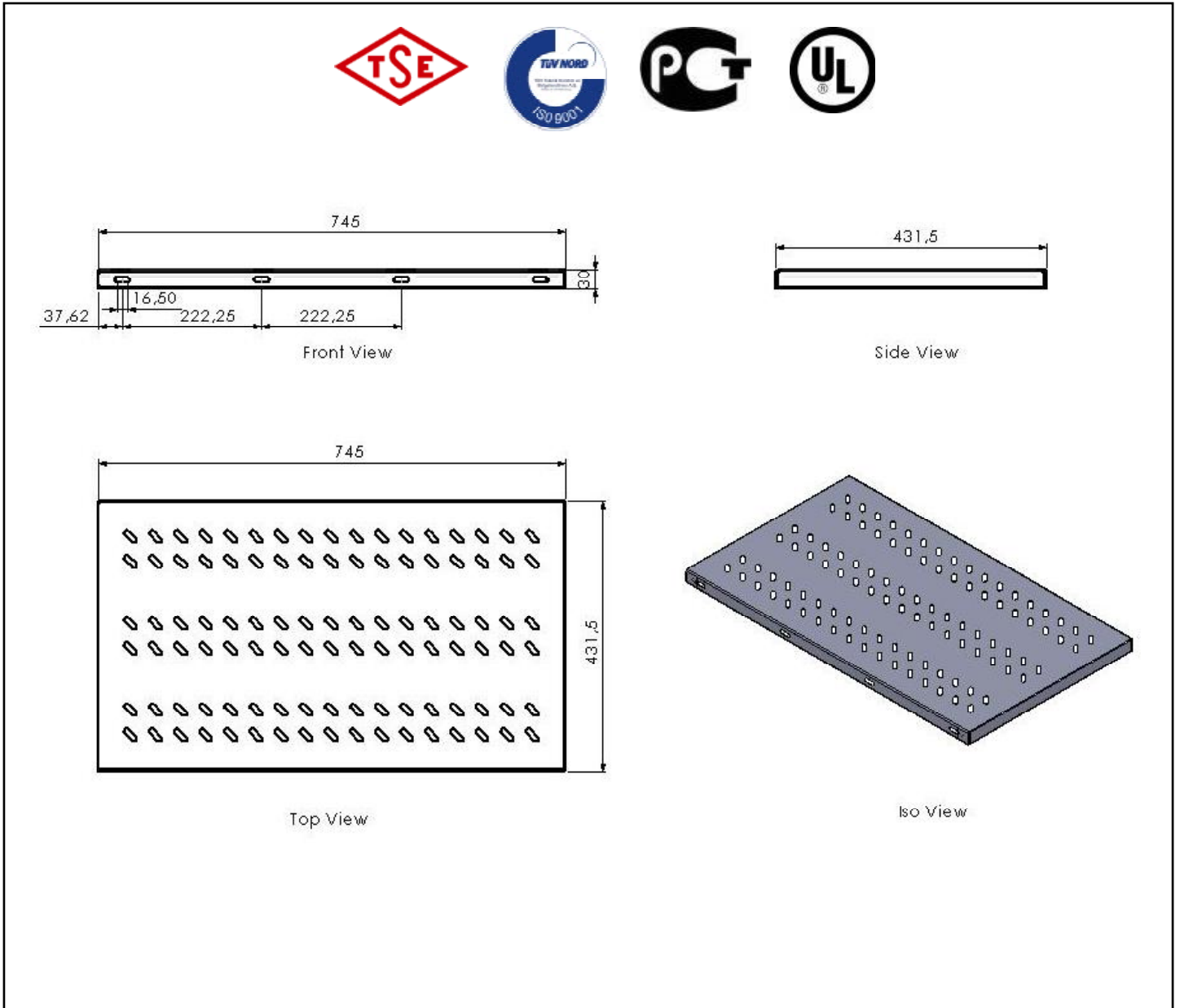


2U19" Rack Mount Shelves		
Order No	Product Definition	Dimensions (wxdxh) mm
E44RAK55	2U 19" Rack Mount Shelf depth=550 mm	483x550x88

Shipping Data				
Order No	Quantity	Shipping Dimension (palette) WxHxD	Net Weight (kg)	Gross Weight (kg)
E44RAK55	4	550x440x605	15,84	17,00

2U 19" Rack Mount Shelves D=740 mm

TECHNICAL DRAWINGS



2U19" Rack Mount Shelves		
Order No	Product Definition	Dimensions (wxdxh) mm
E44RAK70	2U 19" Rack Mount Shelf depth=740 mm	483x740x88

Shipping Data				
Order No	Quantity	Shipping Dimension (palette) WxHxD	Net Weight (kg)	Gross Weight (kg)
E44RAK70				